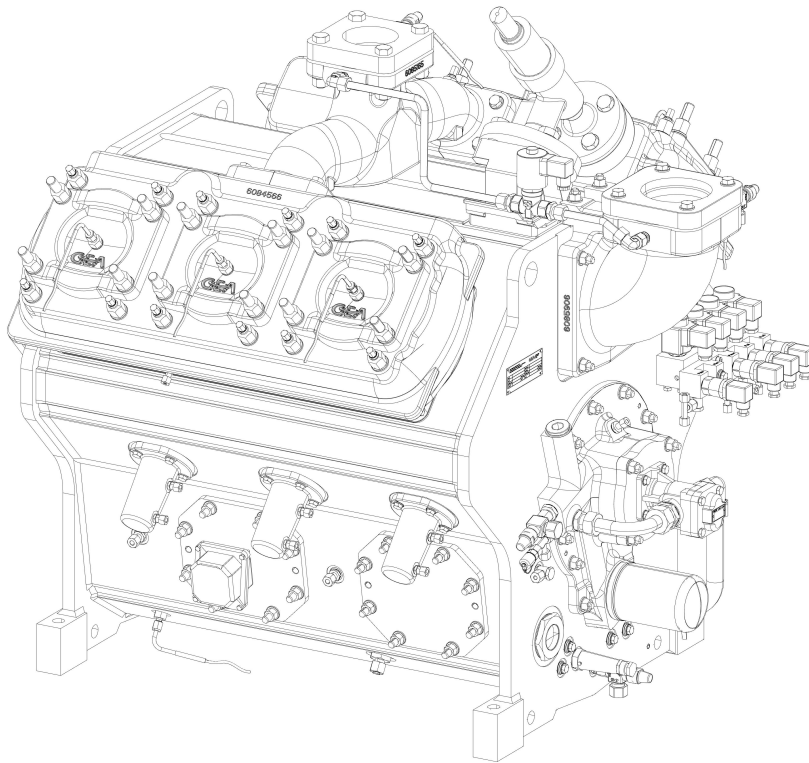


SPARE PARTS CATALOGUE

Incl. kits overview



V XHP Series

Heat pump

Company: GEA Refrigeration Netherlands N.V.

Document Number: SPC-V XHP

Version: 004 / Language: EN-GB / Publication date: 07.04.2026

Table of Contents

1	General	4
1.1	Release notes	4
1.2	About this document	4
1.3	Manufacturer address	4
1.4	Customer service	4
1.5	Order information	4
2	Replacement parts	5
2.1	Maintenance Kits	5
2.2	Spare parts lists	29
2.2.1	Crankshaft	29
2.2.2	Crankcase	33
2.2.3	Bearing cover	45
2.2.4	Service cover	49
2.2.5	Intermediate bearing	51
2.2.6	Piston	52
2.2.7	Cylinder & Discharge valve	53
2.2.8	Conrod	55
2.2.9	Cylinder head	56
2.2.10	Suction connection	64
2.2.11	Valve lifting assembly	68
2.2.12	Oil pump	69
2.2.13	Discharge manifold	71
2.2.14	Discharge connection	74
2.2.15	Pressure relief valve	76
2.2.16	Pressure transmitter group	77
2.2.17	Valve lifting connections	78
2.2.18	Equalizing line	80
2.2.19	Condensation drain	84
2.3	Cylinder numbering	87

1 General

This chapter contains basic instructions on the use of this document and explanations of typographical conventions. In addition, this chapter contains details on the version and structure.

In this document, the term machine refers to V XHP Series.

1.1 Release notes

#	Reference / Hyperlink contents of revision	Description
	Spare parts catalogue Incl. kits overview	GEA Refrigeration Netherlands N.V. Version 004 Release date 07.04.2026
	Previous versions	001, 002,003
004		Updated pictures, part numbers and descriptions in the complete manual

1.2 About this document

This document is applicable to the compressors in the table below.

V XHP compressor types

V 350 XHP

V 550 XHP

V 750 XHP

V 950 XHP

1.3 Manufacturer address

GEA Netherlands N.V.
Parallelweg 25
Netherlands
5223 AL 's-Hertogenbosch

1.4 Customer service

Phone: +31 73 6 203 911
Fax: -x-
pistonspareparts@gea.com
www.GEA.com

1.5 Order information

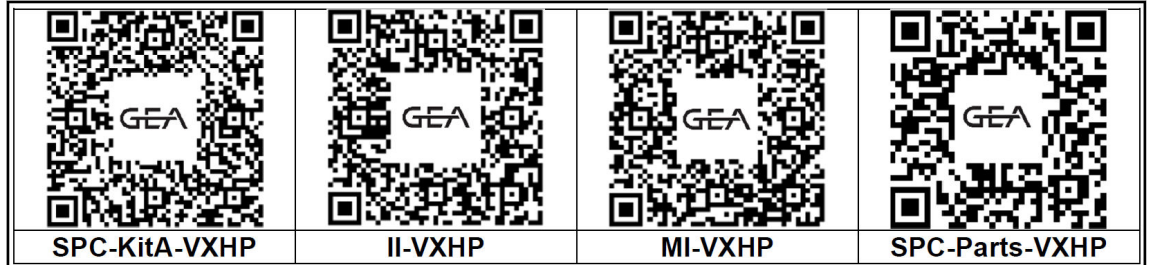
Our web shop <https://blushop.gea.com/> is recommended to identify and/or to order the right spare parts.

2 Replacement parts

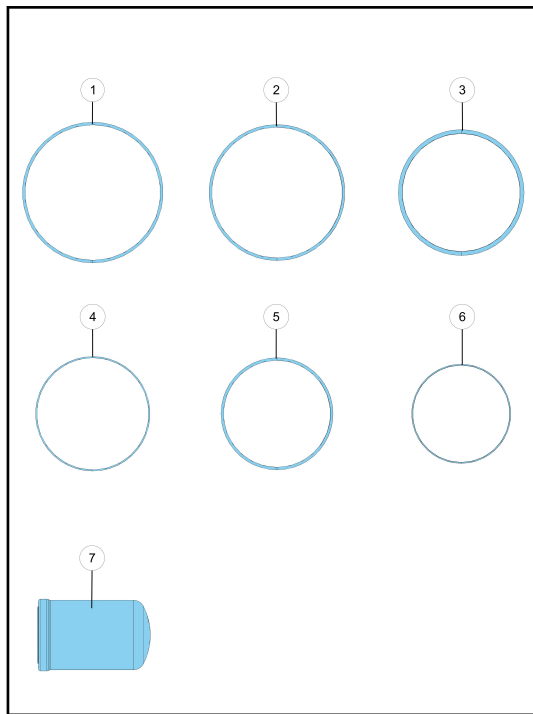
2.1 Maintenance Kits

0087904 Packing List and Document References for Service Kit A, 3785016, V XHP-Series

QR Document References 3785016 - Service Kit A V XHP-Series

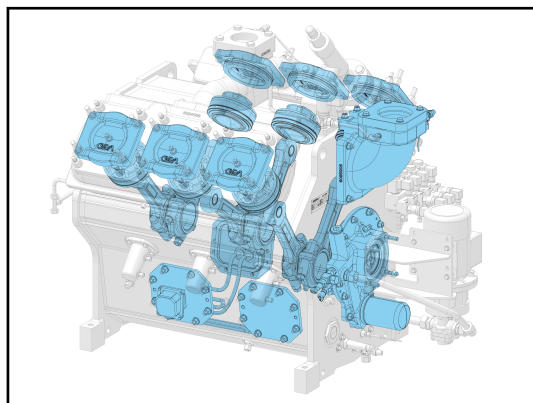


Packing List 3785016 - Service Kit A, V XHP-Series



Position Description	
1	1x 0952346 O-RING 183.74 A
2	1x 0952344 O-RING 177.39 A
3	1x 0952942 O-RING 160.00 C
4	1x 0952796 O-RING 152.00 C
5	1x 0952374 O-RING 145.00 A
6	1x 0952795 O-RING 133.00 C
7	1x 0711027 OIL FILTER GRASSO V

Overview 3785016 - Service Kit A, V XHP-Series

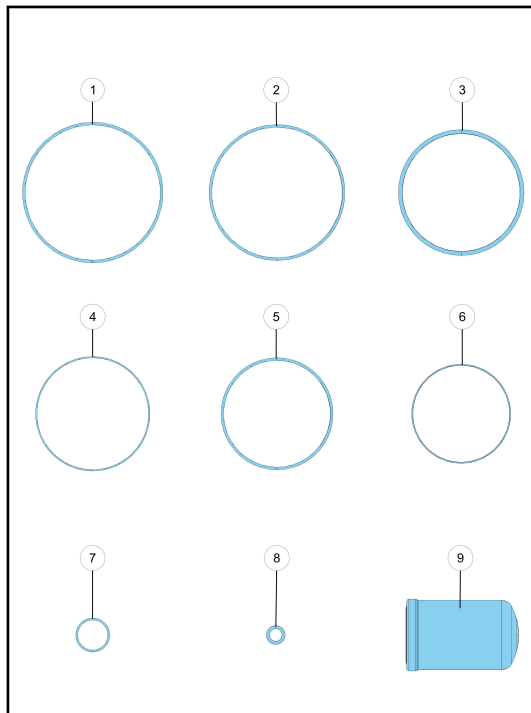


0087920 Packing List and Document References for Service Kit B, 3785020, V 350 XHP

Document References 3785020 - Service Kit B V 350 XHP

SPC-KitB V350XHP	II-VXHP	MI-VXHP	SPC-Parts-VXHP

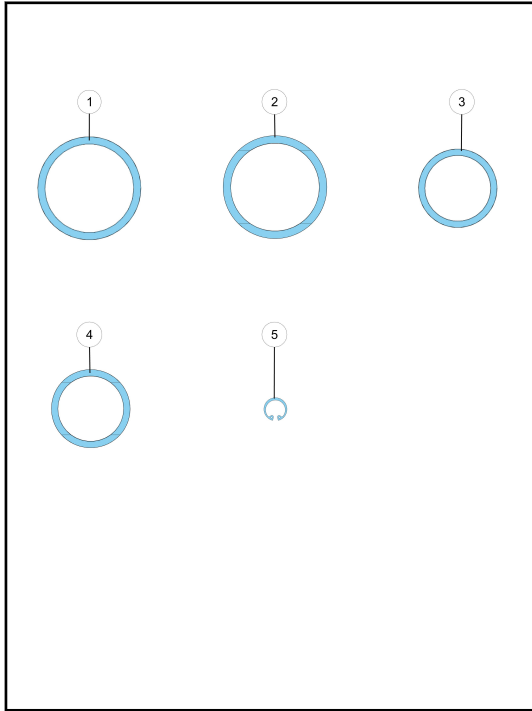
Contents 3785020 - Service Kit B V 350 XHP (1/2)



Position Description

1	1x 0952346 O-RING 183.74 A
2	2x 0952344 O-RING 177.39 A
3	4x 0952942 O-RING 160.00 C
4	4x 0952796 O-RING 152.00 C
5	1x 0952374 O-RING 145.00 A
6	4x 0952795 O-RING 133.00 C
7	4x 0952289 O-RING 40.95 A
8	6x 1139800 NL LOCK WASHER SET 16
9	1x 0711027 OIL FILTER GRASSO V

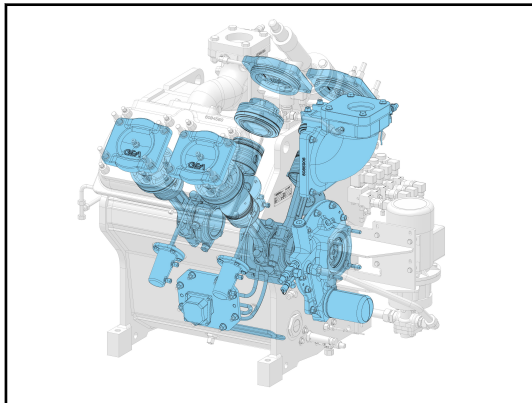
Contents 3785020 - Service Kit B V 350 XHP (2/2)



Position Description

1	4x 1134107 VALVE RING V XHP SUCTION
2	4x 1133107 SINUSOIDAL SPRING V XHP SUCTION
3	4x 1134088 VALVE RING V XHP DISCHARGE
4	4x 1133088 SINUSOIDAL SPRING V XHP DISCHARGE
5	2x 1104030.02 INTERNAL CIRCLIP 30X1.2

Overview 3785020 - Service Kit B V 350 XHP

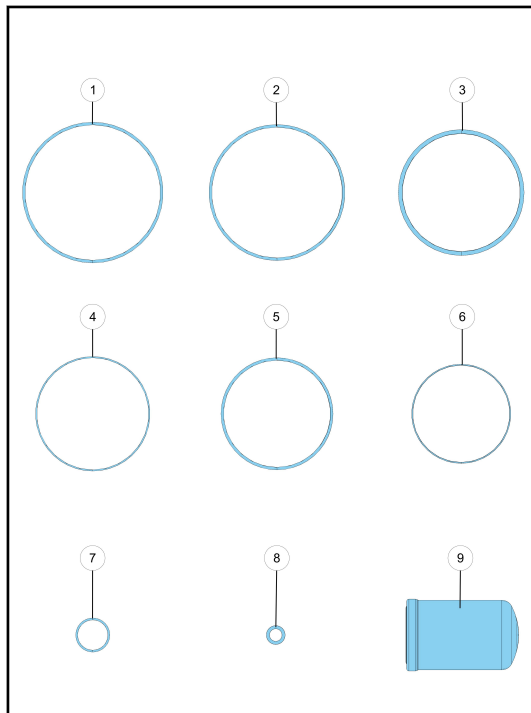


0087921 Packing List and Document References for Service Kit B, 3785021, V 550 XHP

Document References 3785021 - Service Kit B V 550 XHP

SPC-KitB-V550XHP	II-VXHP	MI-VXHP	SPC-Parts-VXHP

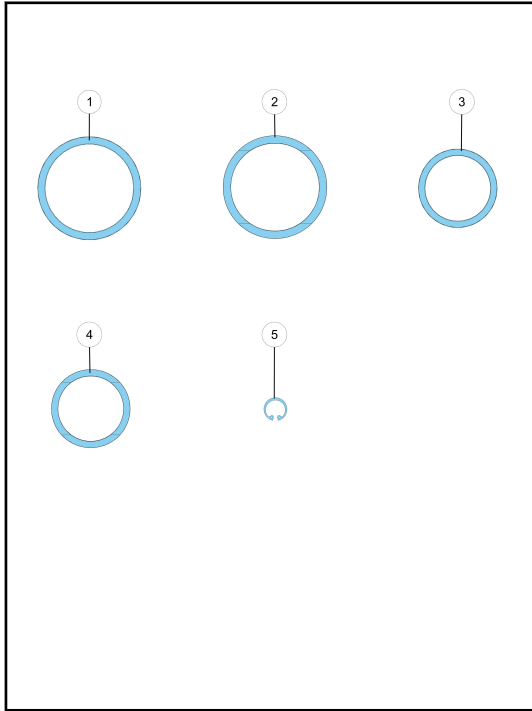
Contents 3785021 - Service Kit B V 550 XHP (1/2)



Position Description

1	1x 0952346 O-RING 183.74 A
2	4x 0952344 O-RING 177.39 A
3	6x 0952942 O-RING 160.00 C
4	6x 0952796 O-RING 152.00 C
5	1x 0952374 O-RING 145.00 A
6	6x 0952795 O-RING 133.00 C
7	6x 0952289 O-RING 40.95 A
8	8x 1139800 NL LOCK WASHER SET 16
9	1x 0711027 OIL FILTER GRASSO V

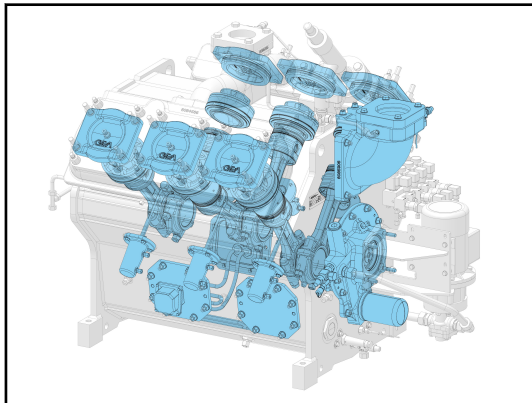
Contents 3785021 - Service Kit B V 550 XHP (2/2)



Position Description

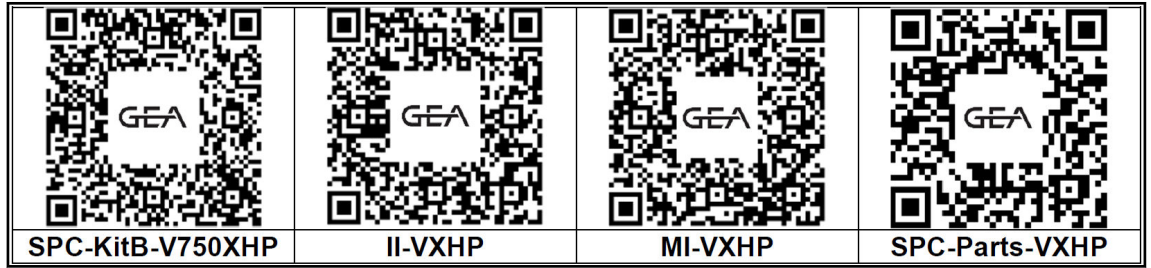
1	6x 1134107 VALVE RING V XHP SUCTION
2	6x 1133107 SINUSOIDAL SPRING V XHP SUCTION
3	6x 1134088 VALVE RING V XHP DISCHARGE
4	6x 1133088 SINUSOIDAL SPRING V XHP DISCHARGE
5	2x 1104030.02INTERNAL CIRCLIP 30X1.2

Overview 3785021 - Service Kit B V 550 XHP

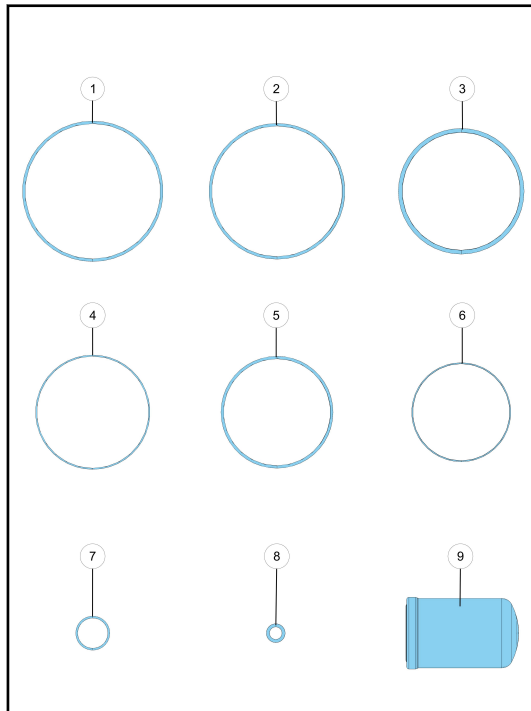


0087922 Packing List and Document References for Service Kit B, 3785022, V 750 XHP

Document References 3785022 - Service Kit B V 750 XHP



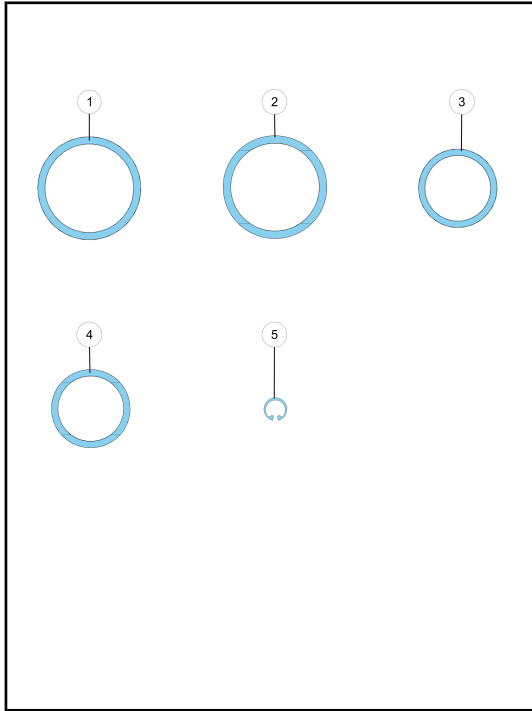
Contents 3785022 - Service Kit B V 750 XHP (1/2)



Position Description

1	1x 0952346 O-RING 183.74 A
2	4x 0952344 O-RING 177.39 A
3	8x 0952942 O-RING 160.00 C
4	8x 0952796 O-RING 152.00 C
5	1x 0952374 O-RING 145.00 A
6	8x 0952795 O-RING 133.00 C
7	8x 0952289 O-RING 40.95 A
8	10x 1139800 NL LOCK WASHER SET 16
9	1x 0711027 OIL FILTER GRASSO V

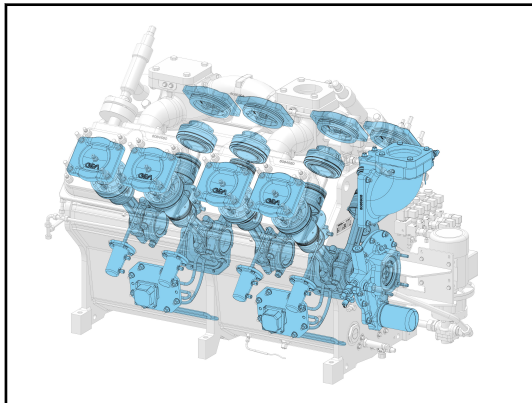
Contents 3785022 - Service Kit B V 750 XHP (2/2)



Position Description

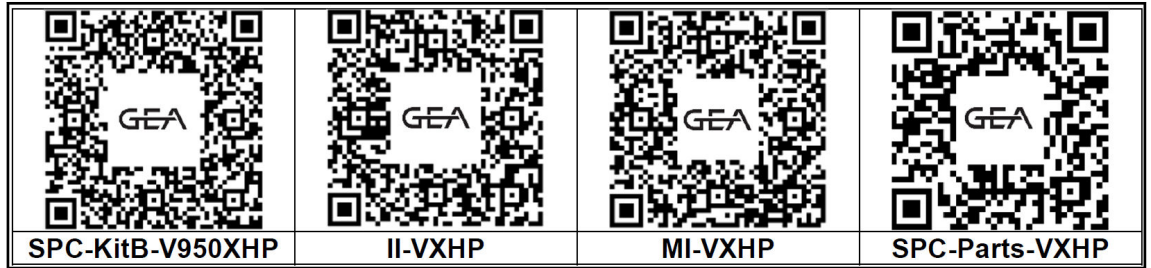
1	8x 1134107 VALVE RING V XHP SUCTION
2	8x 1133107 SINUSOIDAL SPRING V XHP SUCTION
3	8x 1134088 VALVE RING V XHP DISCHARGE
4	8x 1133088 SINUSOIDAL SPRING V XHP DISCHARGE
5	2x 1104030.02 INTERNAL CIRCLIP 30X1.2

Overview 3785022 - Service Kit B V 750 XHP

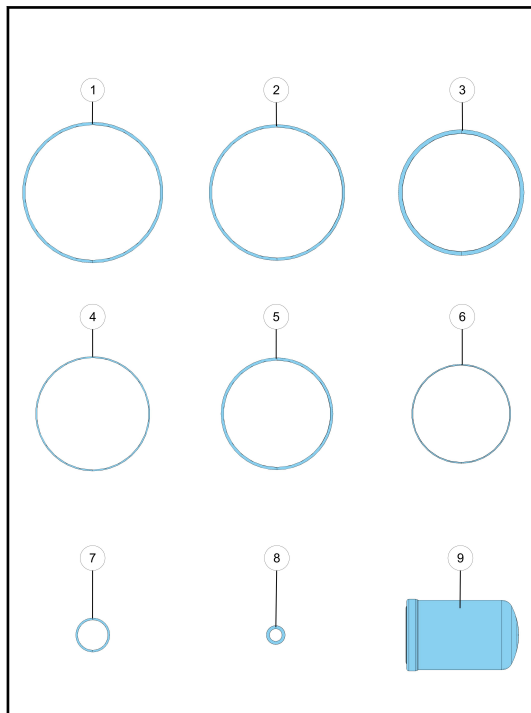


0087923 Packing List and Document References for Service Kit B, 3785023, V 950 XHP

Document References 3785023 - Service Kit B V 950 XHP



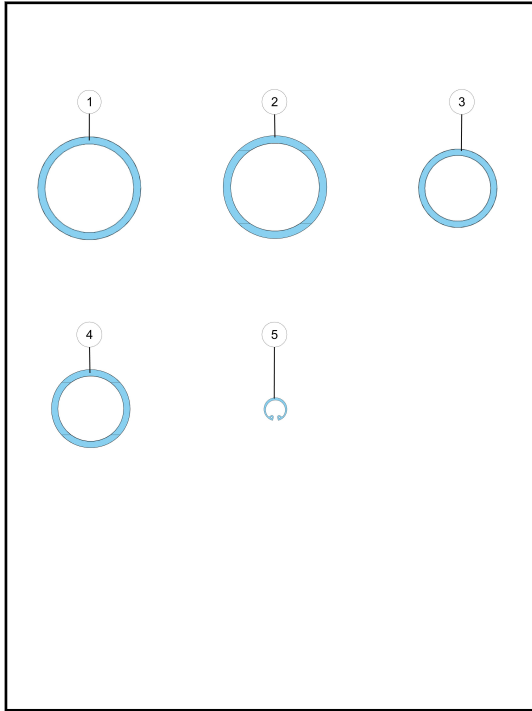
Contents 3785023 - Service Kit B V 950 XHP (1/2)



Position Description

1	1x 0952346 O-RING 183.74 A
2	6x 0952344 O-RING 177.39 A
3	10x 0952942 O-RING 160.00 C
4	10x 0952796 O-RING 152.00 C
5	1x 0952374 O-RING 145.00 A
6	10x 0952795 O-RING 133.00 C
7	10x 0952289 O-RING 40.95 A
8	12x 1139800 NL LOCK WASHER SET 16
9	1x 0711027 OIL FILTER GRASSO V

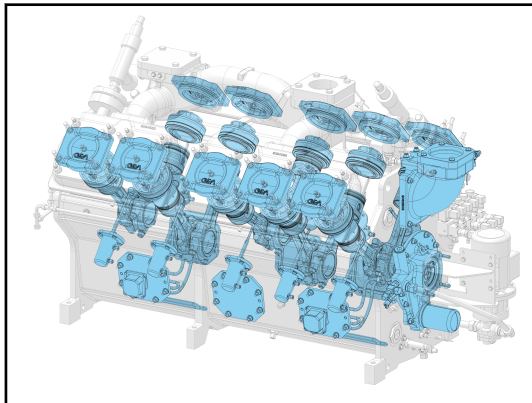
Contents 3785023 - Service Kit B V 950 XHP (2/2)



Position Description

Position	Description
1	10x 1134107 VALVE RING V XHP SUCTION
2	10x 1133107 SINUSOIDAL SPRING V XHP SUCTION
3	10x 1134088 VALVE RING V XHP DISCHARGE
4	10x 1133088 SINUSOIDAL SPRING V XHP DISCHARGE
5	2x 1104030.02 INTERNAL CIRCLIP 30X1.2

Overview 3785023 - Service Kit B V 950 XHP

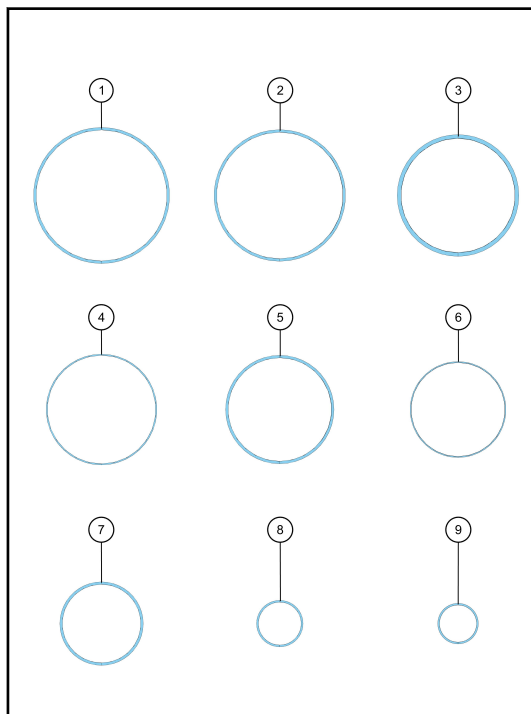


0087924 Packing List and Document References for Service Kit C, 3785026, V 350 XHP

QR Document References 3785026 - Service Kit C V 350 XHP



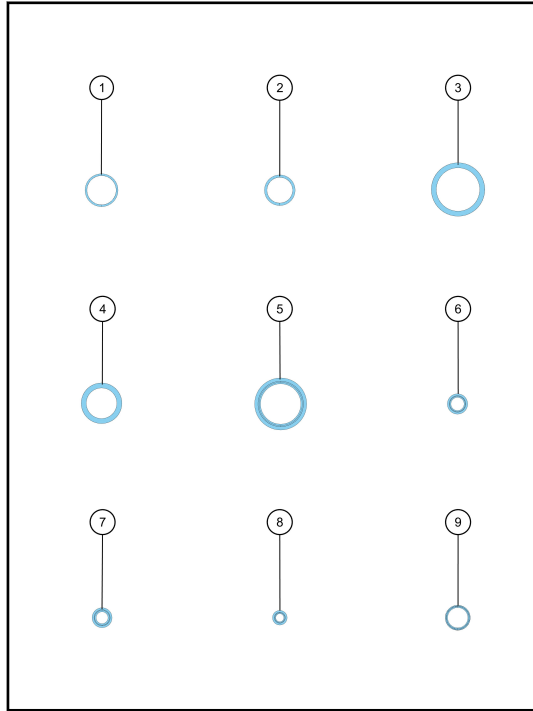
Contents 3785026 - Service Kit C V 350 XHP (1/5)



Position Description

1	1x 0952346 O-RING 183.74 A
2	2x 0952344O-RING 177.39 A
3	4x 0952942 O-RING 160.00 C
4	4x 0952796 O-RING 152.00 C
5	1x 0952374 O-RING 145.00 A
6	4x 0952795 O-RING 133.00 C
7	1x 0952382 O-RING 110.00 A
8	2x 0952260 O-RING 60.00 A
9	1x 0952256 O-RING 52.00 A

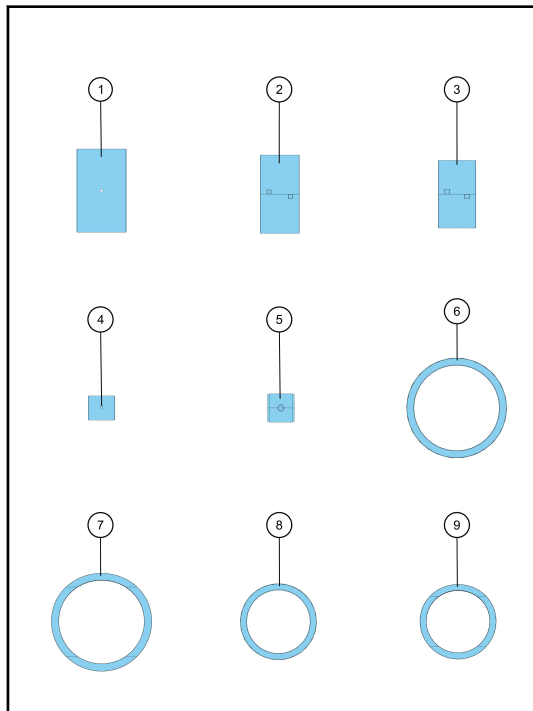
Contents 3785026 - Service Kit C V 350 XHP (2/5)



Position Description

1	4x 0952289 O-RING 40.95 A
2	1x 0952948 O-RING 36.00 C
3	1x 0904061 GASKET 61x75x2 DN40
4	1x 0904043 GASKET 43x57x2
5	1x 0941200 MULTI SEAL RING 2"
6	1x 0941102 MULTI SEAL RING 1/2"
7	1x 0941020 MULTI SEAL RING M20
8	4x 0941104 MULTI SEAL RING 1/4"
9	4x 0952328 QUAD RING 35

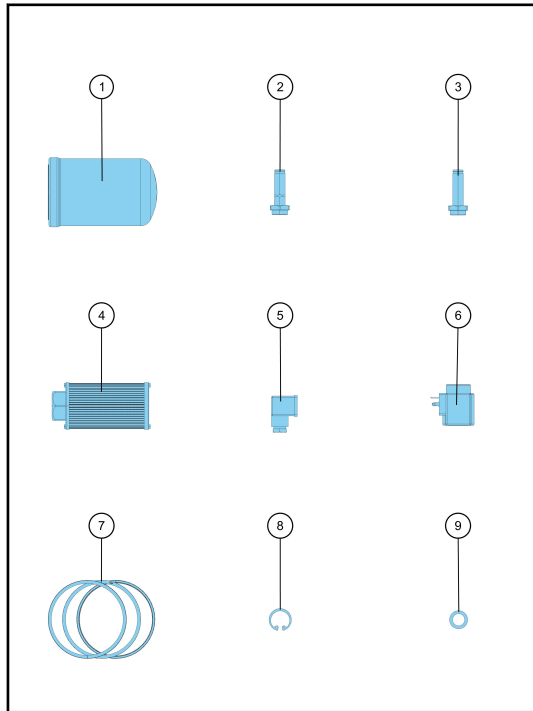
Contents 3785026 - Service Kit C V 350 XHP (3/5)



Position Description

1	2x 1146111 BEARING BUSH VXHP 117x70 HX
2	0x 1144108 BEARING SHELL SET 105x55 HX INTERMEDIATE BEARINGBLOCK V-XHP
3	4x 1144588 BEARING SHELL SET 90x53 HX CONNECTING ROD V-XHP
4	4x 1146340 BEARING BUSH 30x34x37.5 HX
5	4x 1146341 BORE ADAPTOR SMALL END V XHP
6	4x 1134107 VALVE RING V XHP SUCTION
7	4x 1133107 SINUSOIDAL SPRING V XHP SUCTION
8	4x 1134088 VALVE RING V XHP DISCHARGE
9	4x 1133088 SINUSOIDAL SPRING V XHP DISCHARGE

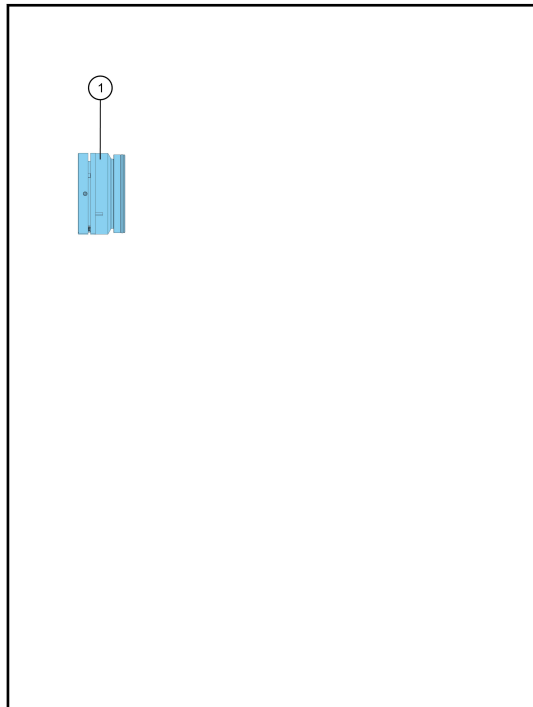
Contents 3785026 - Service Kit C V 350 XHP (4/5)



Position Description

Position	Description
1	1x 0711027 OIL FILTER GRASSO V
2	1x 0680343 REPAIR KIT NORMALLY OPEN
3	3x 0680341 REPAIR KIT NORMALLY CLOSED -DC WITH SEAL
4	1x 0715228 SUCTION OIL FILTER V-SERIES
5	4x 1316605 RC24V CONNECTOR LED + AMPLIFIER
6	4x 1316127 SOLENOID VALVE COIL 24V DC
7	2x 3785025 SET OF PISTON RINGS V XHP ALL VARIANTS ¹
8	12x 1139800 NL LOCK WASHER SET 16
9	8x 1104030.02 INTERNAL CIRCLIP 30X1.2

Contents 3785026 - Service Kit C V 350 XHP (5/5)

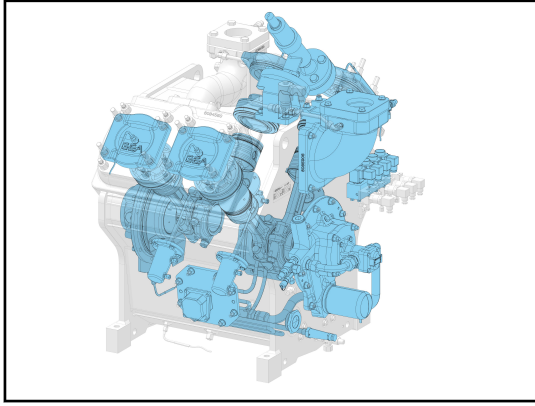


Position Description

Position	Description
1	1x 0984300 SHAFT SEAL 30BAR(G) 85MM

1) These parts are only included in this spare parts set for emergency cases, for example when a piston ring gets lost or breaks during maintenance activities.

Overview 3785026 - Service Kit C V 350 XHP

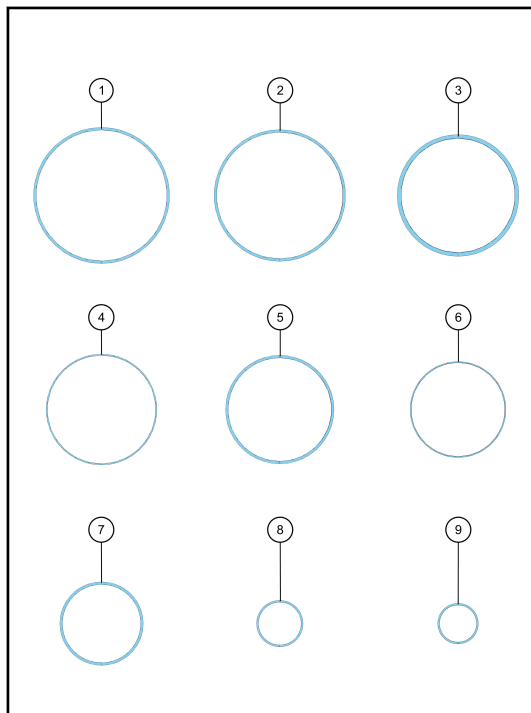


0087925 Packing List and Document References for Service Kit C, 3785027, V 550 XHP

Document References 3785027 - Service Kit C V 550 XHP



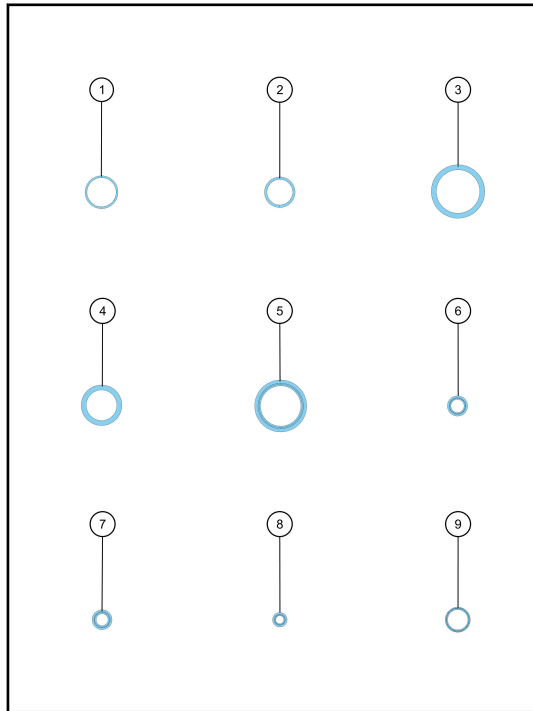
Contents 3785027 - Service Kit C V 550 XHP (1/5)



Position Description

1	1x 0952346 O-RING 183.74 A
2	4x 0952344 O-RING 177.39 A
3	6x 0952942 O-RING 160.00 C
4	6x 0952796 O-RING 152.00 C
5	1x 0952374 O-RING 145.00 A
6	6x 0952795 O-RING 133.00 C
7	1x 0952382 O-RING 110.00 A
8	2x 0952260 O-RING 60.00 A
9	1x 0952256 O-RING 52.00 A

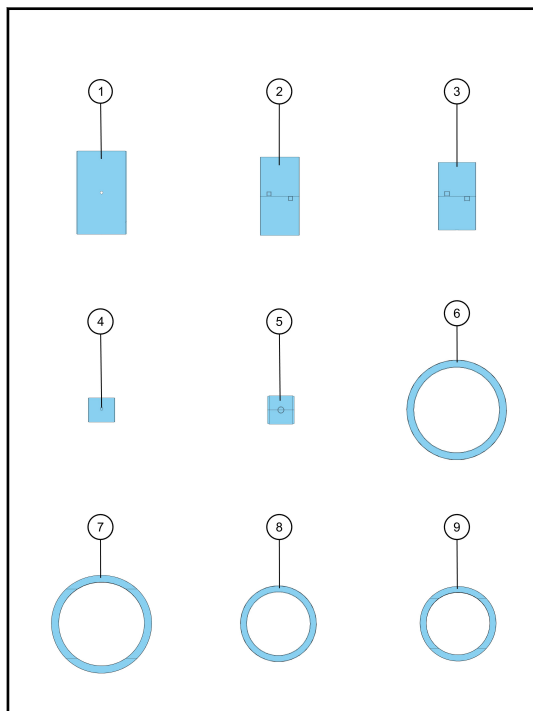
Contents 3785027 - Service Kit C V 550 XHP (2/5)



Position Description

1	6x 0952289 O-RING 40.95 A
2	1x 0952948 O-RING 36.00 C
3	1x 0904061 GASKET 61x75x2 DN40
4	1x 0904043 GASKET 43x57x2
5	1x 0941200 MULTI SEAL RING 2"
6	1x 0941102 MULTI SEAL RING 1/2"
7	1x 0941020 MULTI SEAL RING M20
8	6x 0941104 MULTI SEAL RING 1/4"
9	6x 0952328 QUAD RING 35

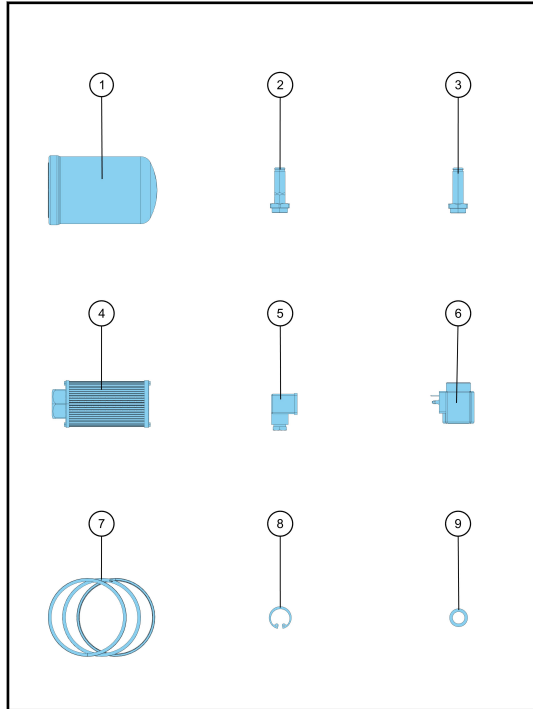
Contents 3785027 - Service Kit C V 550 XHP (3/5)



Position Description

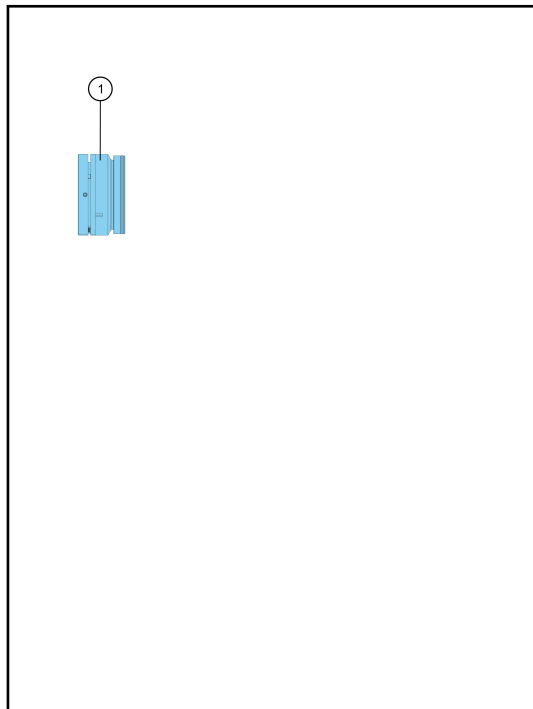
1	2x 1146111 BEARING BUSH VXHP 117x70 HX
2	1x 1144108 BEARING SHELL SET 105x55 HX INTERMEDIATE BEARINGBLOCK V-XHP
3	6x 1144588 BEARING SHELL SET 90x53 HX CONNECTING ROD V-XHP
4	6x 1146340 BEARING BUSH 30x34x37.5 HX
5	6x 1146341 BORE ADAPTOR SMALL END V XHP
6	6x 1134107 VALVE RING V XHP SUCTION
7	6x 1133107 SINUSOIDAL SPRING V XHP SUCTION
8	6x 1134088 VALVE RING V XHP DISCHARGE
9	6x 1133088 SINUSOIDAL SPRING V XHP DISCHARGE

Contents 3785027 - Service Kit C V 550 XHP (4/5)



Position	Description
1	1x 0711027 OIL FILTER GRASSO V
2	1x 0680343 REPAIR KIT NORMALLY OPEN
3	3x 0680341 REPAIR KIT NORMALLY CLOSED -DC WITH SEAL
4	1x 0715228 SUCTION OIL FILTER V-SERIES
5	4x 1316605 RC24V CONNECTOR LED + AMPLIFIER
6	4x 1316127 SOLENOID VALVE COIL 24V DC
7	2x 3785025 SET OF PISTON RINGS V XHP ALL VARIANTS ²
8	18x 1139800 NL LOCK WASHER SET 16
9	12x 1104030.02 INTERNAL CIRCLIP 30X1.2

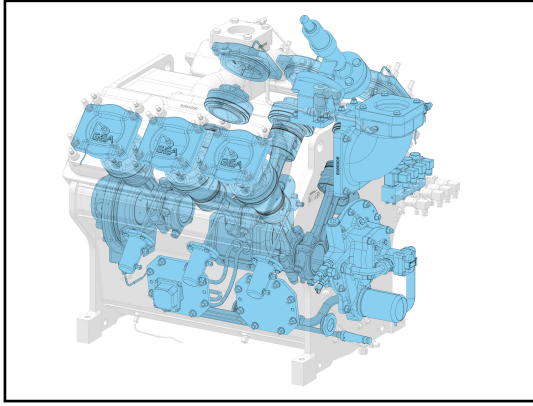
Contents 3785027 - Service Kit C V 550 XHP (5/5)



Position	Description
1	1x 0984300 SHAFT SEAL 30BAR(G) 85MM

2) These parts are only included in this spare parts set for emergency cases, for example when a piston ring gets lost or breaks during maintenance activities.

Overview 3785027 - Service Kit C V 550 XHP

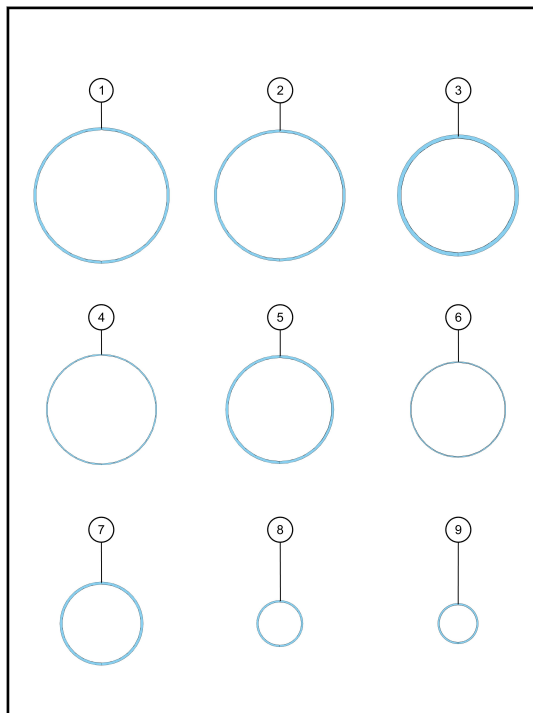


0087926 Packing List and Document References for Service Kit C, 3785028, V 750 XHP

Document References 3785028 - Service Kit C V 750 XHP



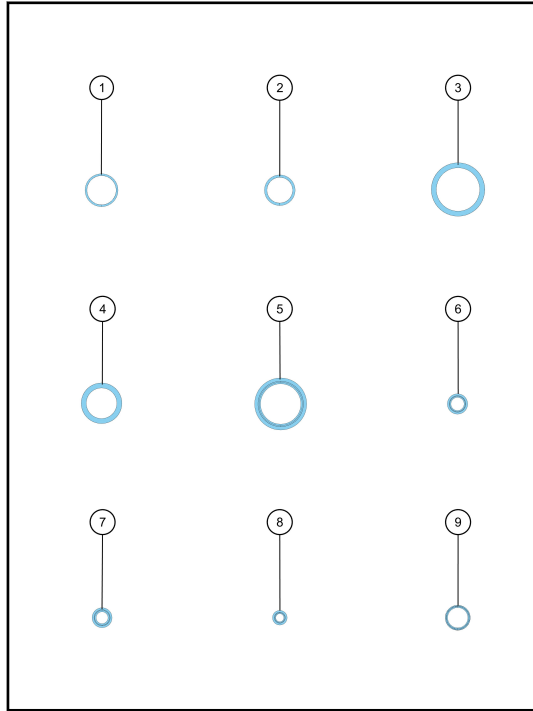
Contents 3785028 - Service Kit C V 750 XHP (1/5)



Position Description

1	1x 0952346 O-RING 183.74 A
2	4x 0952344 O-RING 177.39 A
3	8x 0952942 O-RING 160.00 C
4	8x 0952796 O-RING 152.00 C
5	1x 0952374 O-RING 145.00 A
6	8x 0952795 O-RING 133.00 C
7	1x 0952382 O-RING 110.00 A
8	2x 0952260 O-RING 60.00 A
9	2x 0952256 O-RING 52.00 A

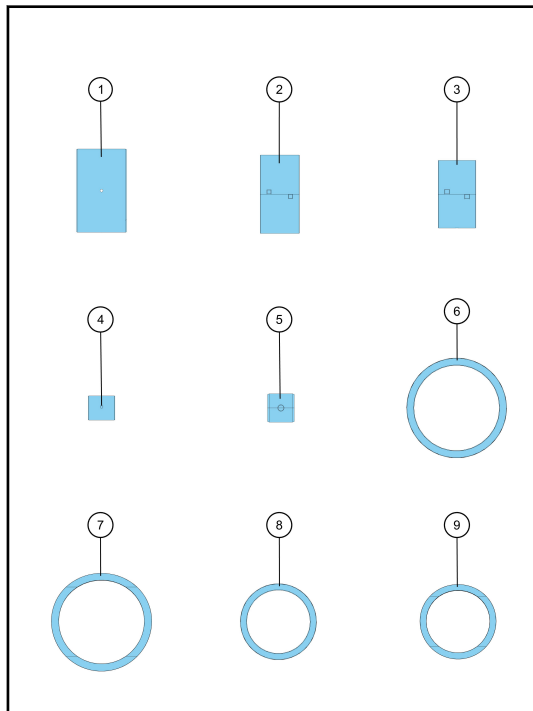
Contents 3785028 - Service Kit C V 750 XHP (2/5)



Position Description

1	8x 0952289 O-RING 40.95 A
2	2x 0952948 O-RING 36.00 C
3	2x 0904061 GASKET 61x75x2 DN40
4	2x 0904043 GASKET 43x57x2
5	1x 0941200 MULTI SEAL RING 2"
6	1x 0941102 MULTI SEAL RING 1/2"
7	1x 0941020 MULTI SEAL RING M20
8	8x 0941104 MULTI SEAL RING 1/4"
9	8x 0952328 QUAD RING 35

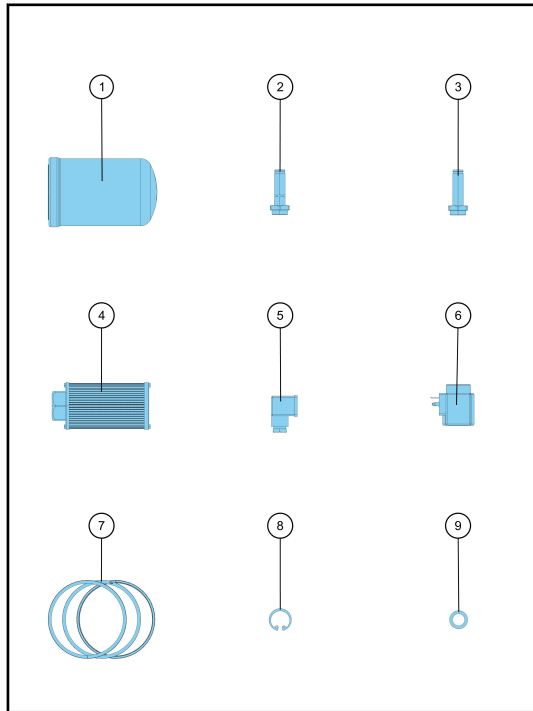
Contents 3785028 - Service Kit C V 750 XHP (3/5)



Position Description

1	2x 1146111 BEARING BUSH VXHP 117x70 HX
2	1x 1144108 BEARING SHELL SET 105x55 HX INTERMEDIATE BEARINGBLOCK V-XHP
3	8x 1144588 BEARING SHELL SET 90x53 HX CONNECTING ROD V-XHP
4	8x 1146340 BEARING BUSH 30x34x37.5 HX
5	8x 1146341 BORE ADAPTOR SMALL END V XHP
6	8x 1134107 VALVE RING V XHP SUCTION
7	8x 1133107 SINUSOIDAL SPRING V XHP SUCTION
8	8x 1134088 VALVE RING V XHP DISCHARGE
9	8x 1133088 SINUSOIDAL SPRING V XHP DISCHARGE

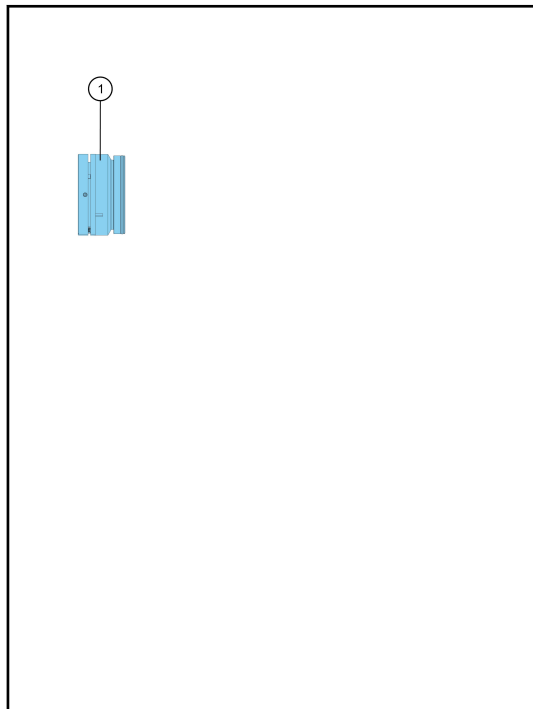
Contents 3785028 - Service Kit C V 750 XHP (4/5)



Position Description

Position	Description
1	1x 0711027 OIL FILTER GRASSO V
2	1x 0680343 REPAIR KIT NORMALLY OPEN
3	4x 0680341 REPAIR KIT NORMALLY CLOSED -DC WITH SEAL
4	1x 0715228 SUCTION OIL FILTER V-SERIES
5	5x 1316605 RC24V CONNECTOR LED + AMPLIFIER
6	5x 1316127 SOLENOID VALVE COIL 24V DC
7	2x 3785025 SET OF PISTON RINGS V XHP ALL VARIANTS ³
8	24x 1139800 NL LOCK WASHER SET 16
9	16x 1104030.02 INTERNAL CIRCLIP 30X1.2

Contents 3785028 - Service Kit C V 750 XHP (5/5)

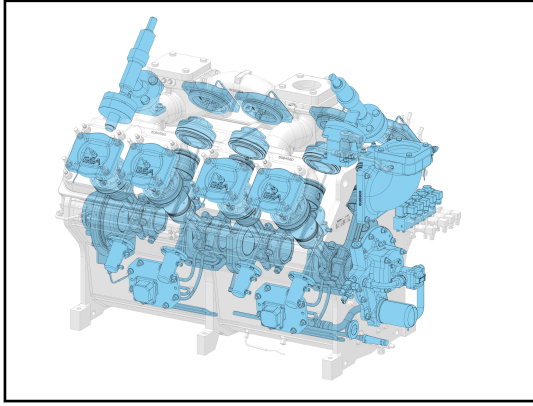


Position Description

Position	Description
1	1x 0984300 SHAFT SEAL 30BAR(G) 85MM

3) These parts are only included in this spare parts set for emergency cases, for example when a piston ring gets lost or breaks during maintenance activities.

Overview 3785028 - Service Kit C V 750 XHP

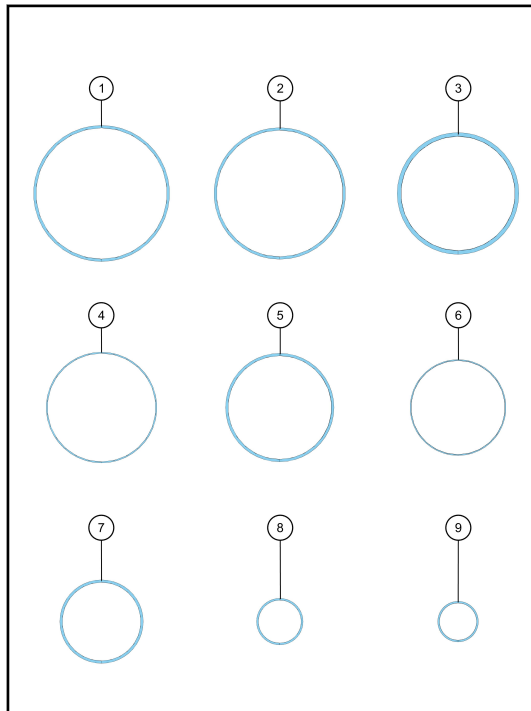


0087927 Packing List and Document References for Service Kit C, 3785029, V 950 XHP

Document References 3785029 - Service Kit C V 950 XHP



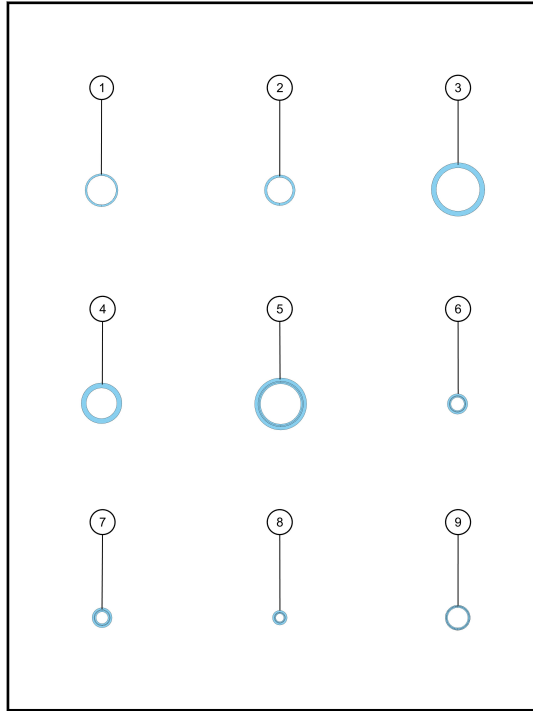
Contents 3785029 - Service Kit C V 950 XHP (1/5)



Position Description

1	1x 0952346 O-RING 183.74 A
2	6x 0952344 O-RING 177.39 A
3	10x 0952942 O-RING 160.00 C
4	10x 0952796 O-RING 152.00 C
5	1x 0952374 O-RING 145.00 A
6	10x 0952795 O-RING 133.00 C
7	1x 0952382 O-RING 110.00 A
8	2x 0952260 O-RING 60.00 A
9	2x 0952256 O-RING 52.00 A

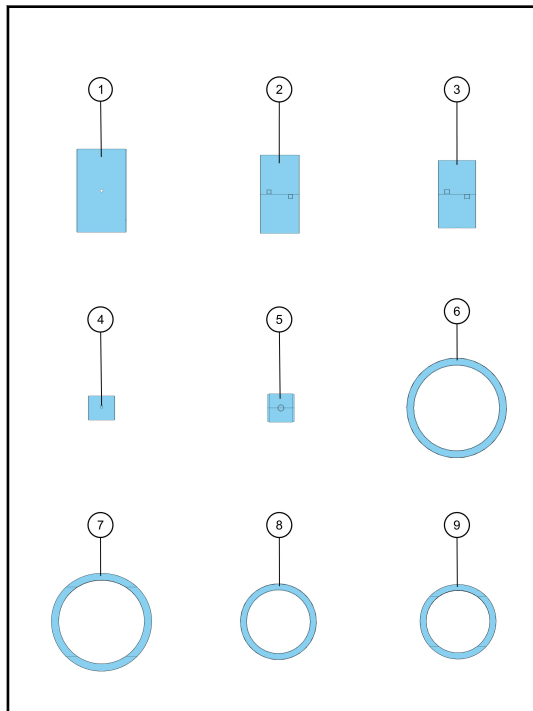
Contents 3785029 - Service Kit C V 950 XHP (2/5)



Position Description

1	10x 0952289 O-RING 40.95 A
2	2x 0952948 O-RING 36.00 C
3	2x 0904061 GASKET 61x75x2 DN40
4	2x 0904043 GASKET 43x57x2
5	1x 0941200 MULTI SEAL RING 2"
6	1x 0941102 MULTI SEAL RING 1/2"
7	1x 0941020 MULTI SEAL RING M20
8	10x 0941104 MULTI SEAL RING 1/4"
9	10x 0952328 QUAD RING 35

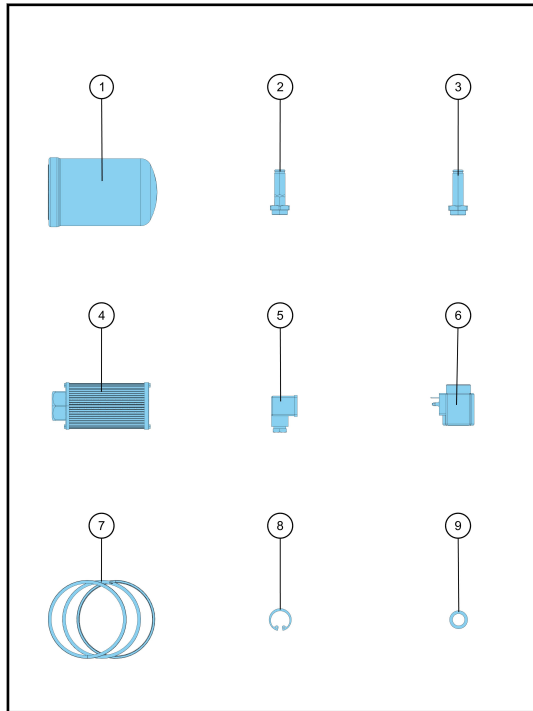
Contents 3785029 - Service Kit C V 950 XHP (3/5)



Position Description

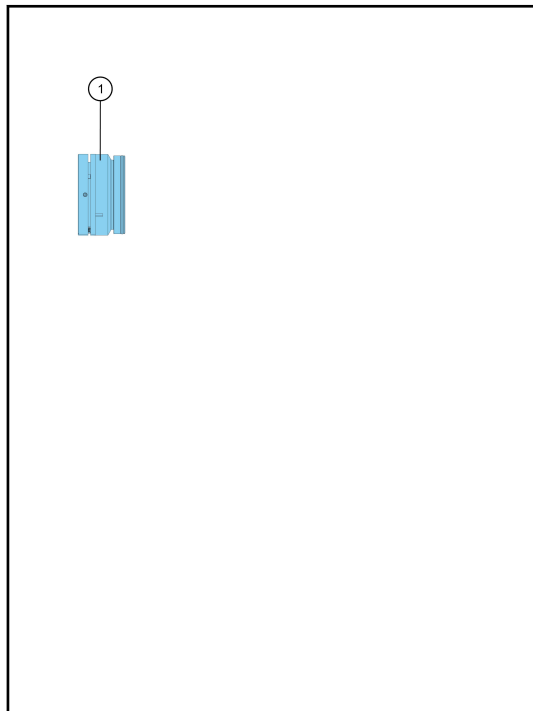
1	2x 1146111 BEARING BUSH VXHP 117x70 HX
2	2x 1144108 BEARING SHELL SET 105x55 HX INTERMEDIATE BEARINGBLOCK V-XHP
3	10x 1144588 BEARING SHELL SET 90x53 HX CONNECTING ROD V-XHP
4	10x 1146340 BEARING BUSH 30x34x37.5 HX
5	10x 1146341 BORE ADAPTOR SMALL END V XHP
6	10x 1134107 VALVE RING V XHP SUCTION
7	10x 1133107 SINUSOIDAL SPRING V XHP SUCTION
8	10x 1134088 VALVE RING V XHP DISCHARGE
9	10x 1133088 SINUSOIDAL SPRING V XHP DISCHARGE

Contents 3785029 - Service Kit C V 950 XHP (4/5)



Position	Description
1	1x 0711027 OIL FILTER GRASSO V
2	1x 0680343 REPAIR KIT NORMALLY OPEN
3	4x 0680341 REPAIR KIT NORMALLY CLOSED -DC WITH SEAL
4	1x 0715228 SUCTION OIL FILTER V-SERIES
5	5x 1316605 RC24V CONNECTOR LED + AMPLIFIER
6	5x 1316127 SOLENOID VALVE COIL 24V DC
7	2x 3785025 SET OF PISTON RINGS V XHP ALL VARIANTS ⁴
8	24x 1139800 NL LOCK WASHER SET 16
9	16x 1104030.02 INTERNAL CIRCLIP 30X1.2

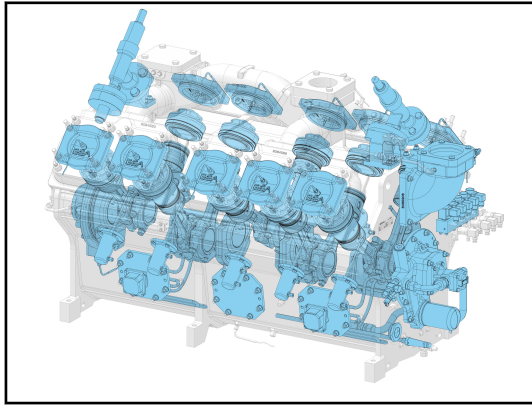
Contents 3785029 - Service Kit C V 950 XHP (5/5)



Position	Description
1	1x 0984300 SHAFT SEAL 30BAR(G) 85MM

4) These parts are only included in this spare parts set for emergency cases, for example when a piston ring gets lost or breaks during maintenance activities.

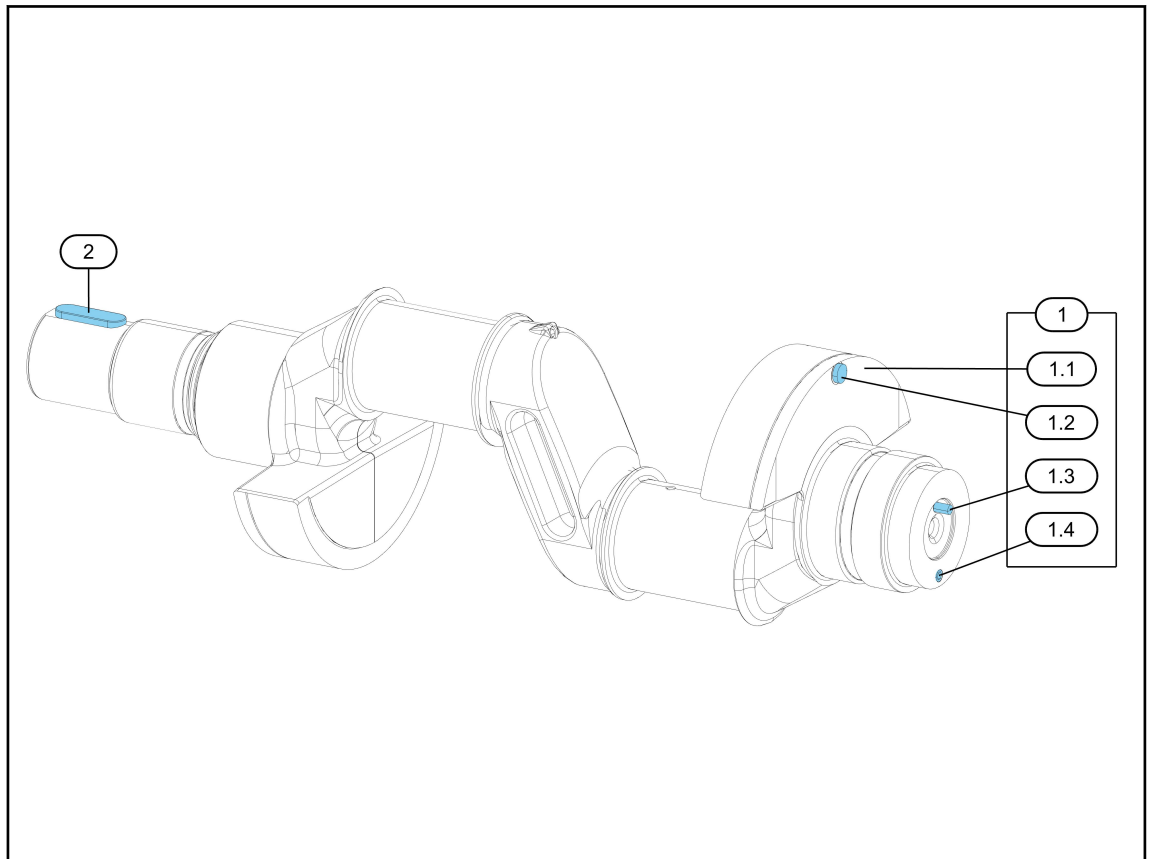
Overview 3785029 - Service Kit C V 950 XHP



2.2 Spare parts lists

2.2.1 Crankshaft

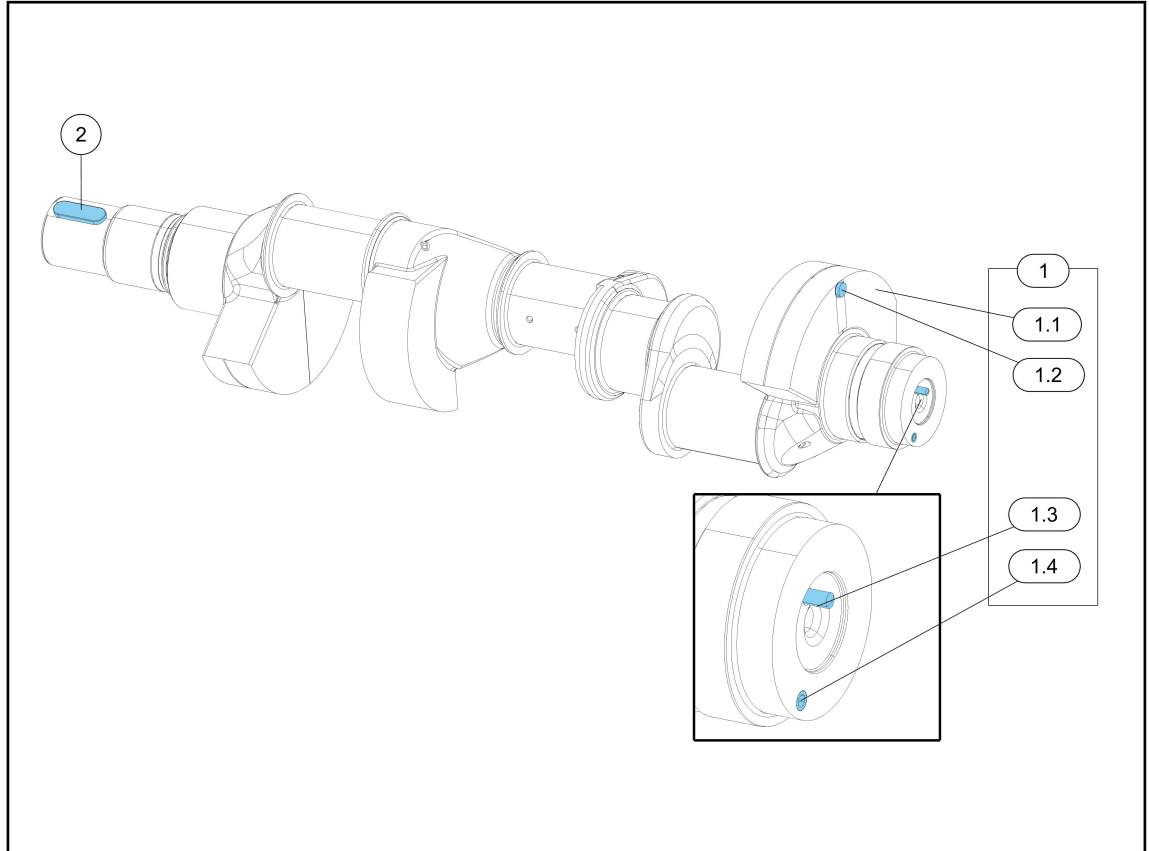
2885200 CRANKSHAFT V 350 XHP



Pos	Qty	Item	Description of drawing 2885200	Remark
1	1	2285400	CRANKSHAFT V350 XHP S	
1.1	1	2284400	CRANKSHAFT V350 XHP	Not orderable
1.2	1	1316706	POT SHAPE MAGNET WITH WIRE TACK M6	

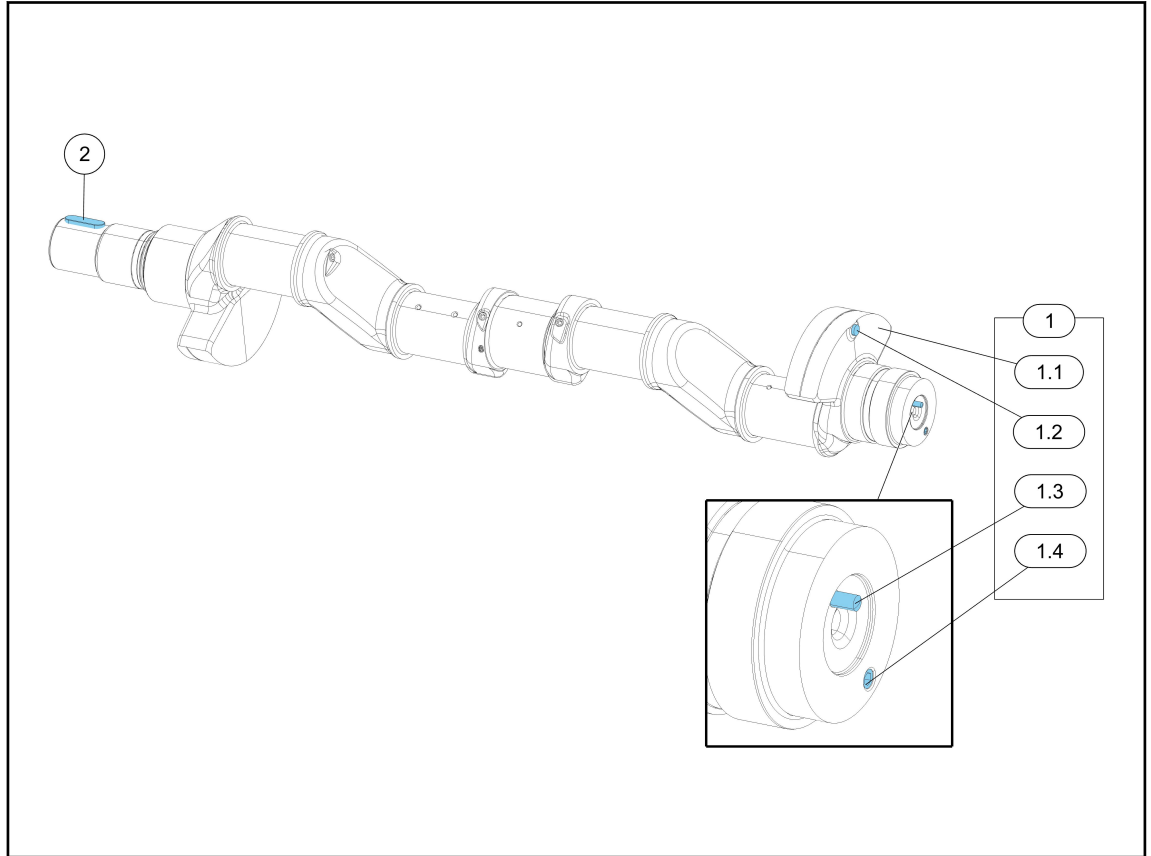
Pos	Qty	Item	Description of drawing 2885200	Remark
1.3	1	1106829	CILINDERPIN 8X28	
1.4	3	0123616	ADJUSTING SCREW M12x16	
2	1	1102763	PARALLEL KEY 20x12x63 DIN6885A	

2885215 CRANKSHAFT V 550 XHP



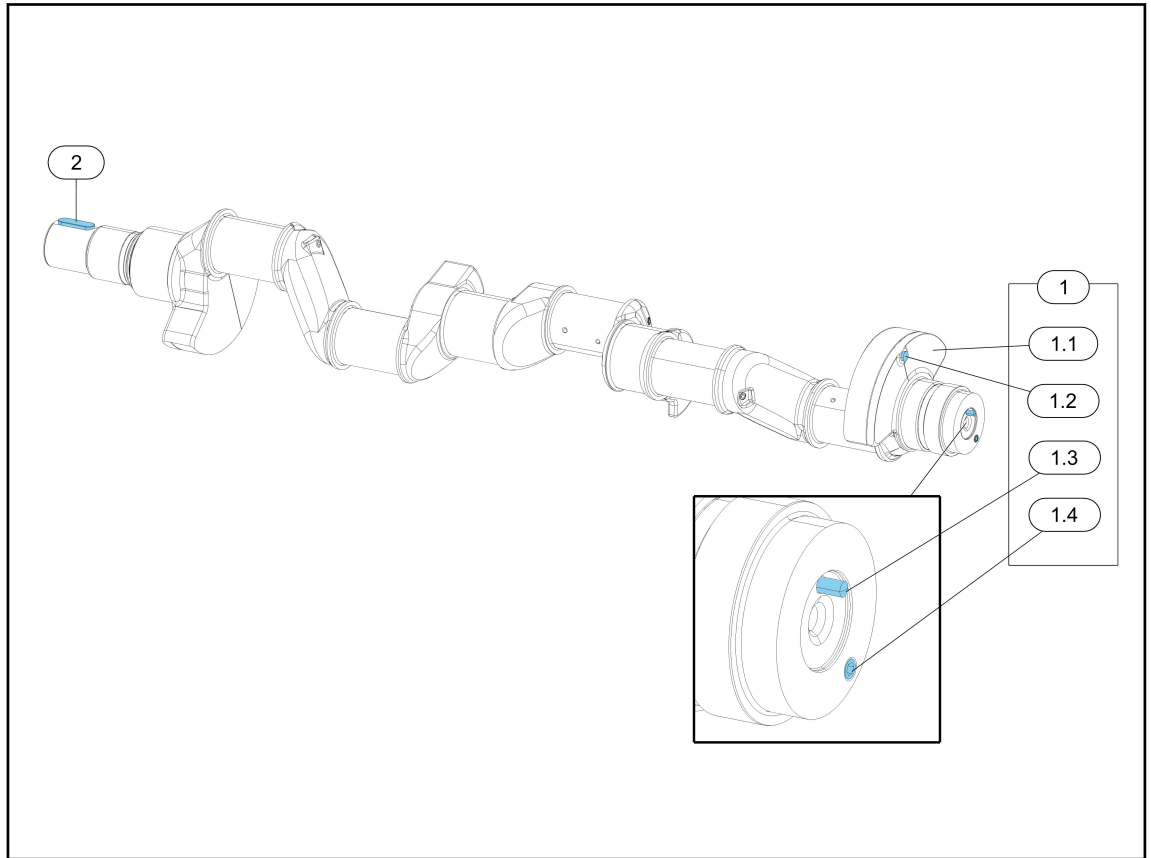
Pos	Qty	Item	Descripton of drawing 2885215	Remark
1	1	2285600	CRANKSHAFT V550 XHP S	
1.1	1	2284600	CRANKSHAFT V550 XHP	Not orderable
1.2	1	1316706	POT SHAPE MAGNET WITH WIRE TACK M6	
1.3	1	1106829	CILINDERPIN 8X28	
1.4	4	0123616	ADJUSTING SCREW M12x16	
2	1	1102763	PARALLEL KEY 20x12x63 DIN6885A	

2885220 CRANKSHAFT V 750 XHP



Pos	Qty	Item	Description of drawing 2885220	Remark
1	1	2285800	CRANKSHAFT V750 XHP S	
1.1	1	2284800	CRANK SHAFT V750 XHP	Not orderable
1.2	1	1316706	POT SHAPE MAGNET WITH WIRE TACK M6	
1.3	1	1106829	CILINDERPIN 8X28	
1.4	7	0123616	ADJUSTING SCREW M12x16	
2	1	1102763	PARALLEL KEY 20x12x63 DIN6885A	

2885240 CRANKSHAFT V 950 XHP

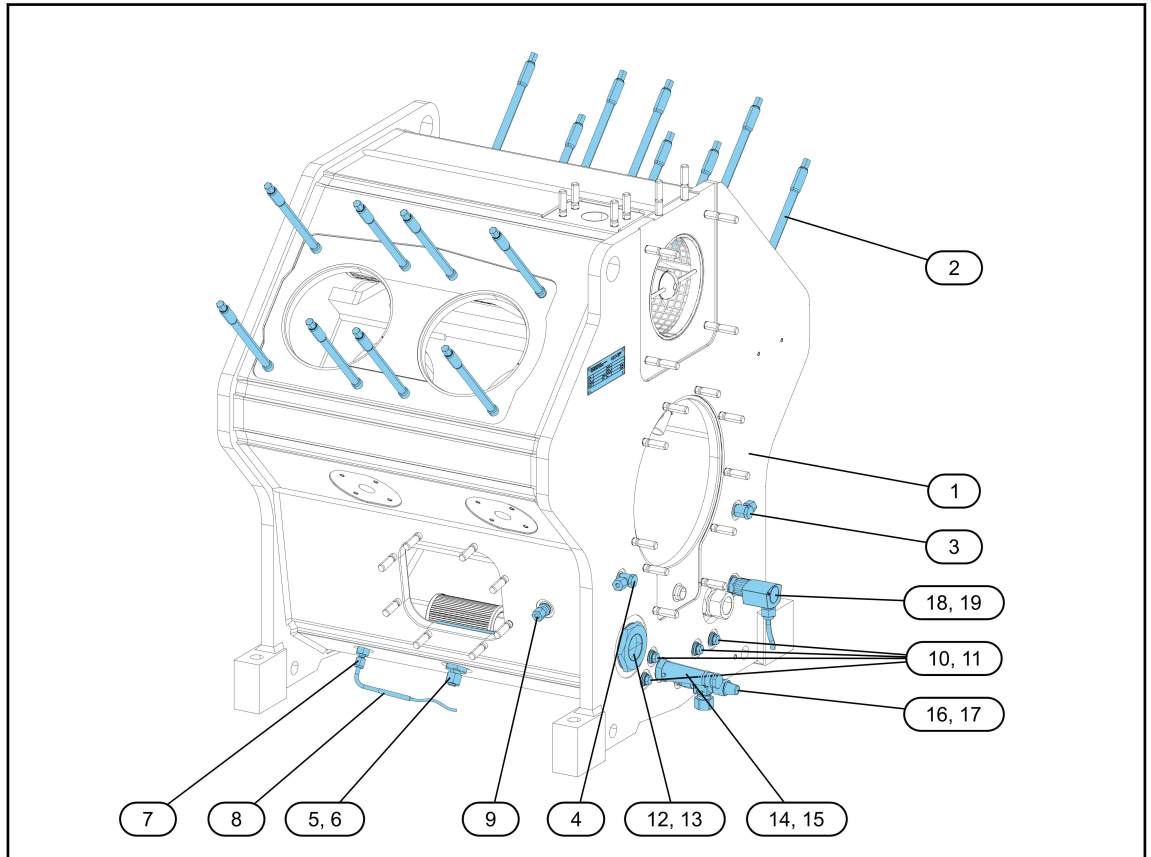


Pos	Qty	Item	Description of drawing 2885240	Remark
1	1	2285500	CRANK SHAFT V950 XHP S	
1.1	1	2284500	CRANK SHAFT V950 XHP	Not orderable
1.2	1	1316706	POT SHAPE MAGNET WITH WIRE TACK M6	
1.3	1	1106829	CILINDERPIN 8X28	
1.4	6	0123616	ADJUSTING SCREW M12x16	
2	1	1102763	PARALLEL KEY 20x12x63 DIN6885A	

2.2.2 Crankcase

2885004 CRANKCASE GROUP V 350 XHP

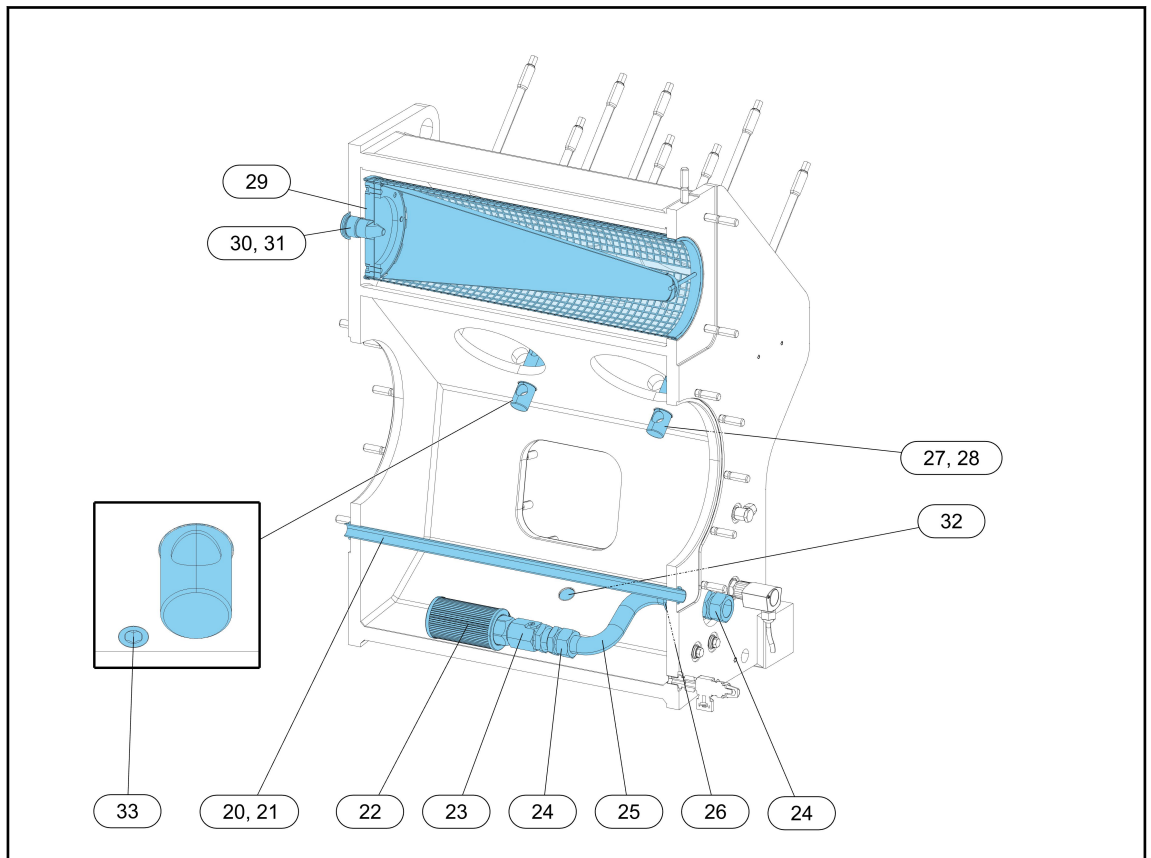
2885004 CRANKCASE GROUP V 350 XHP (Outside)



Pos	Qty	Item	Description of drawing 2885004	Remark
1	1	2185740	CRANKCASE V350 XHP ASSY	Not orderable
2	16	0125820	THREADED END M16 V XHP	
3	1	0339138	SWIVEL COUPLING 8G13	
4	1	0339136	SWIVEL COUPLING 6G13	
5	1	0338274	NIPPLE COUPLING 12G27	
6	1	0334592	COUPLING PLUG 12 WITH O-RING	
7	1	0385136	THERMOWELL 6 G13x60	
8	1	1256388	THERMOSENSOR PT1000 4x70x7500	
9	2	0338138	NIPPLE COUPLING 8G13	
10	4	0136134	JOINT BOLT G13S	
11	4	0941104	MULTI SEAL RING 1/4"	
12	1	1226002	SIGHT GLASS	
13	1	0941200	MULTISEAL RING 2"	

Pos	Qty	Item	Descripton of drawing 2885004	Remark
14	1	1372403	CRANKCASE HEATER 240V-400W	Option KH1 see Blushop Check your electrical diagram
15	1	0941102	MULTISEAL RING 1/2"	Option KH1 see Blushop. For compressor produced before 1-1-2016 #0914023.
16	1	0607011	VALVE TAH 8-12 Acc. PED 2014/68/EU (Art. 4 § 3)	
17	1	0338131	NIPPLE COUPLING 12G13	
18	1	1279651	FLOWSWITCH	Option KH2 see Blushop
19	1	0941020	MULTI SEAL RING M20	Option KH2 see Blushop

2885004 CRANKCASE GROUP V 350 XHP (Inside)

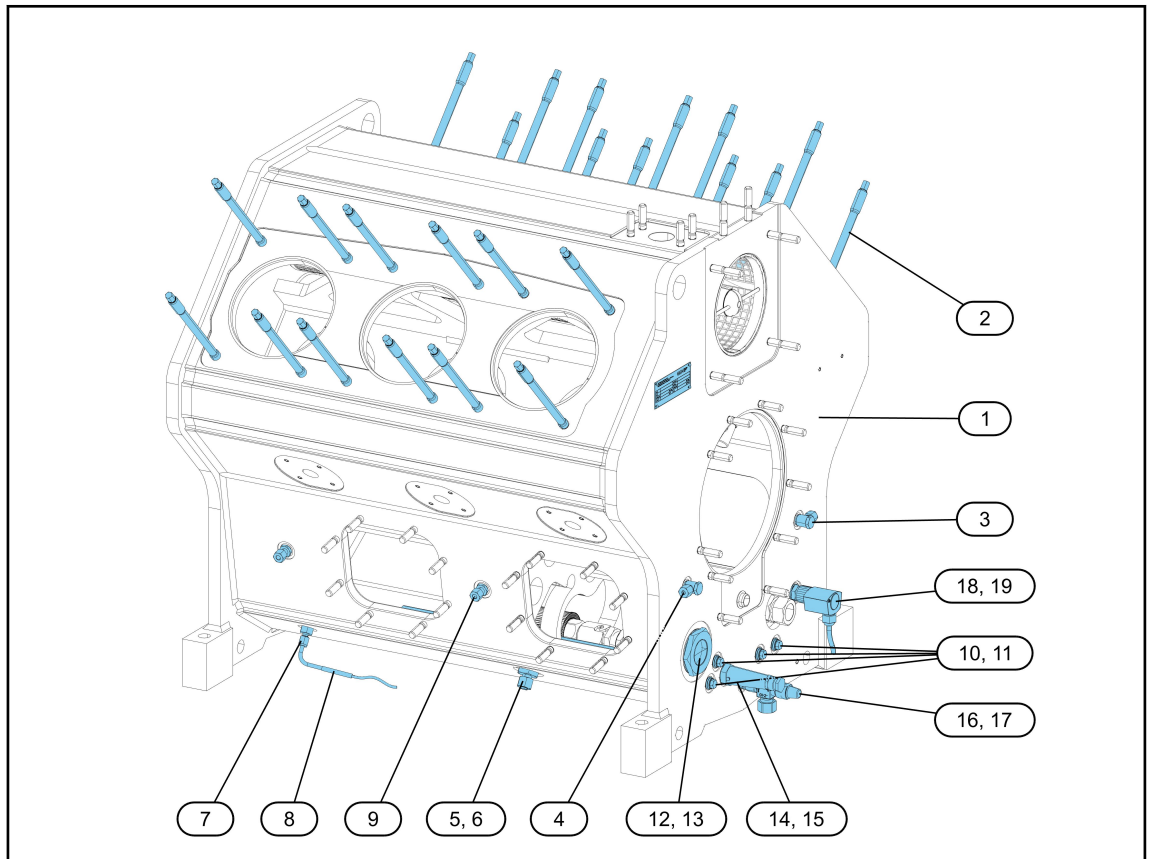


Pos	Qty	Item	Descripton of drawing 2885004	Remark
20	1	0223560	PIPE D22X2X608	Not orderable
21	2	0955212	O-RING 21	

Pos	Qty	Item	Descripton of drawing 2885004	Remark
22	1	0715228	OIL STRAINER 390-1"NPT	
23	1	0386035	OIL SUCTION STRAINER BAYONET FITTING	
24	2	0338275	NIPPLE COUPLING 28G33	
25	1	0438319	BEND STEEL 28x3 V XHP	
26	1	0337332	SOCKET COUPLING 28G1"	
27	4	2184627	CRANKCASE EQUALIZATION INSERT V XHP	
28	4	0365833	SEALING STOP G33 (G1 ")	
29	1	0785004	CONUS SUCTION STRAINER ASSY V350 XHP	
30	1	0136230	PLUG G1 CONIC V-M	
31	1	0941100	MULTISEAL RING 1"	
32	1	0365828	SEALING STOP G3/4"+ NBR	
33	4	0123138	RESTRICTOR NPTF1/4-18-Lx1.5	

2885006 CRANKCASE GROUP V 550 XHP

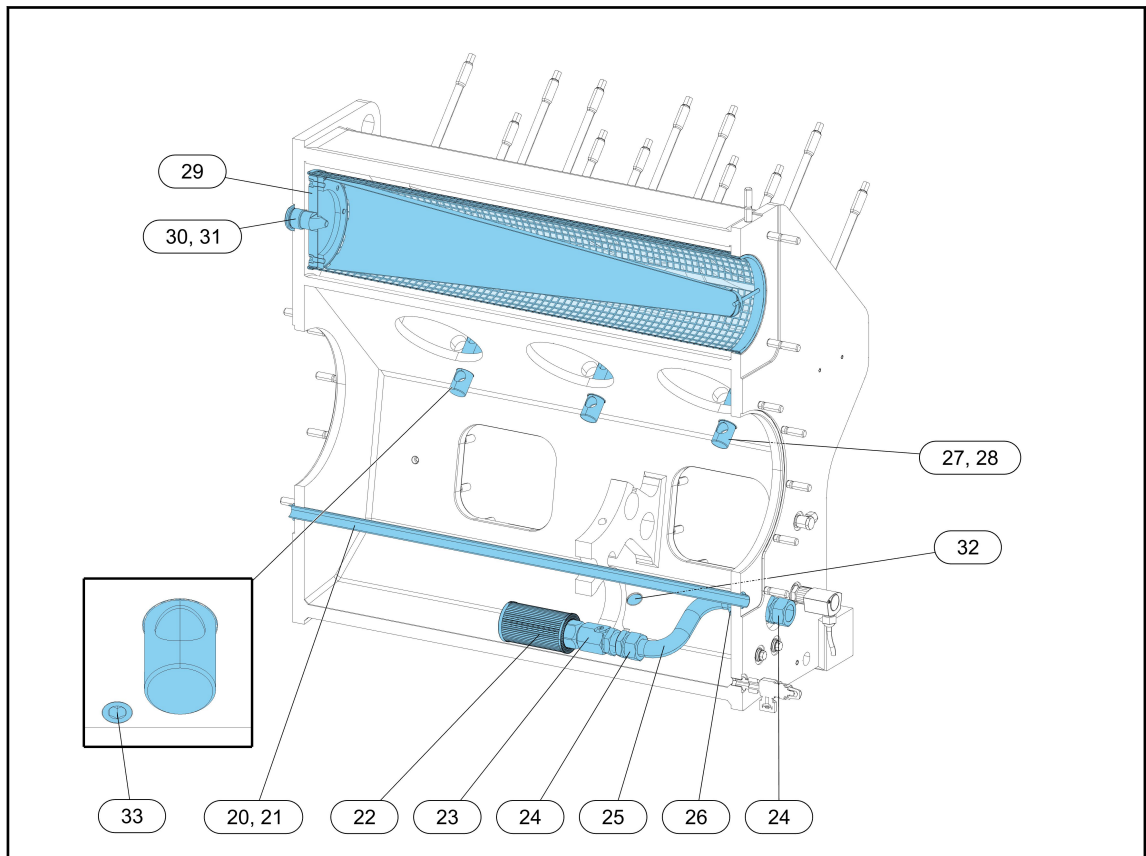
2885006 CRANKCASE GROUP V 550 XHP (Outside)



Pos	Qty	Item	Descripton of drawing 2885006	Remark
1	1	2185760	CRANKCASE V550 XHP ASSY	Not orderable
2	24	0125820	THREADED END M16 V XHP	
3	1	0339138	SWIVEL COUPLING 8G13	
4	1	0339136	SWIVEL COUPLING 6G13	
5	1	0338274	NIPPLE COUPLING 12G27	
6	1	0334592	COUPLING PLUG 12 WITH O-RING	
7	1	0385136	THERMOWELL 6 G13x60	
8	1	1256388	THERMOSENSOR PT1000 4x70x7500	
9	4	0338138	NIPPLE COUPLING 8G13	
10	4	0136134	JOINT BOLT G13S	
11	4	0941104	MULTI SEAL RING 1/4"	
12	1	1226002	SIGHT GLASS	
13	1	0941200	MULTISEAL RING 2"	

Pos	Qty	Item	Descripton of drawing 2885006	Remark
14	1	1372503	CRANKCASE HEATER 240V-525W Diameter: 16mm / Length: 606mm	Option KH1 see Blushop Check your electrical diagram
15	1	0941102	MULTISEAL RING 1/2"	Option KH1 see Blushop. For compressor produced before 1-1-2016 #0914023.
16	1	0607011	VALVE TAH 8-12 Acc. PED 2014/68/EU (Art. 4 § 3)	
17	1	0338131	NIPPLE COUPLING 12G13	
18	1	1279651	FLOWSWITCH	Option KH2 see Blushop
19	1	0941020	MULTI SEAL RING M20	Option KH2 see Blushop

2885006 CRANKCASE GROUP V 550 XHP (Inside)

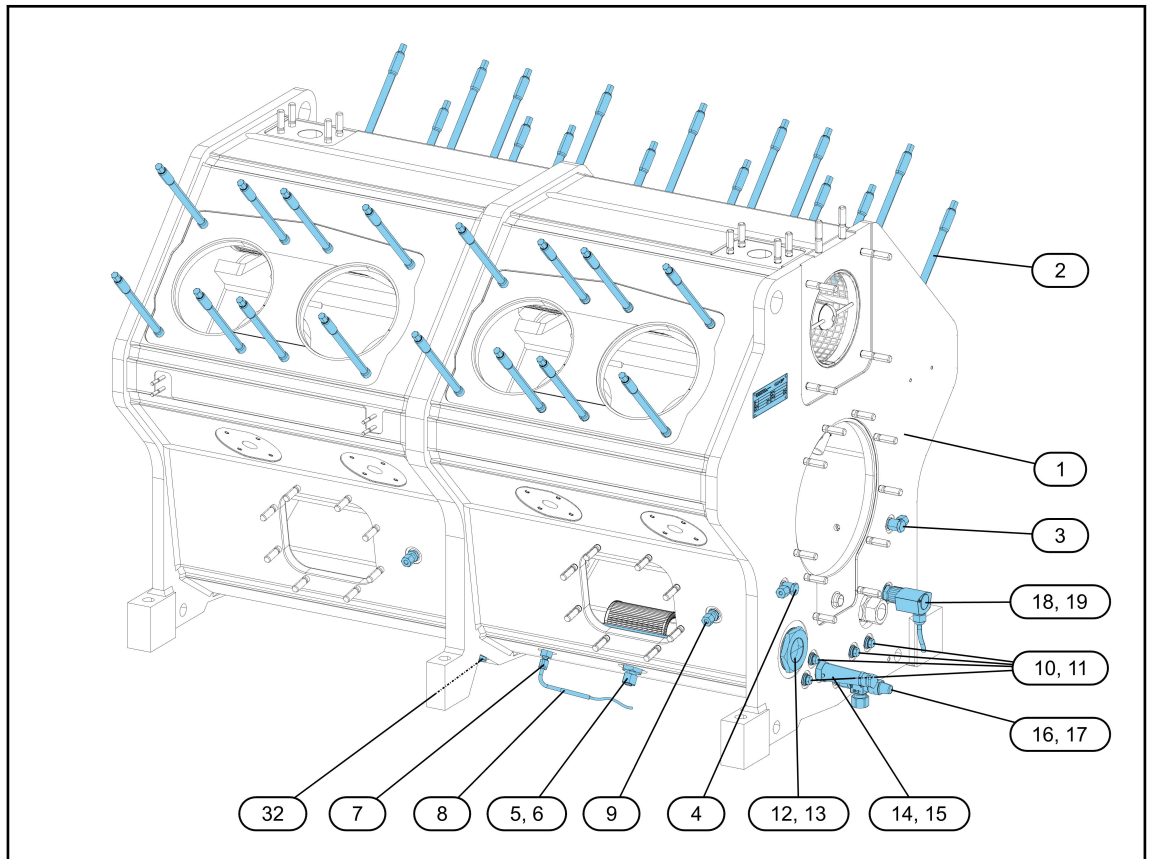


Pos	Qty	Item	Descripton of drawing 2885006	Remark
20	1	0223563	PIPE d22x2x852	Not orderable
21	2	0955212	O-RING 21	

Pos	Qty	Item	Descripton of drawing 2885006	Remark
22	1	0715228	OIL STRAINER 390-1"NPT	
23	1	0386035	OIL SUCTION STRAINER BAYONET FITTING	
24	2	0338275	NIPPLE COUPLING 28G33	
25	1	0438319	BEND STEEL 28x3 V XHP	
26	1	0337332	SOCKET COUPLING 28G1"	
27	6	2184627	CRANKCASE EQUALIZATION INSERT V XHP	
28	6	0365833	SEALING STOP G33 (G1 ")	
29	1	0785006	CONUS SUCTION STRAINER ASSY V550 XHP	
30	1	0136230	PLUG G1 CONIC V-M	
31	1	0941100	MULTISEAL RING 1"	
32	1	0365828	SEALING STOP G3/4"+ NBR	
33	6	0123138	RESTRICTOR NPTF1/4-18-Lx1.5	

2885008 CRANKCASE GROUP V 750 XHP

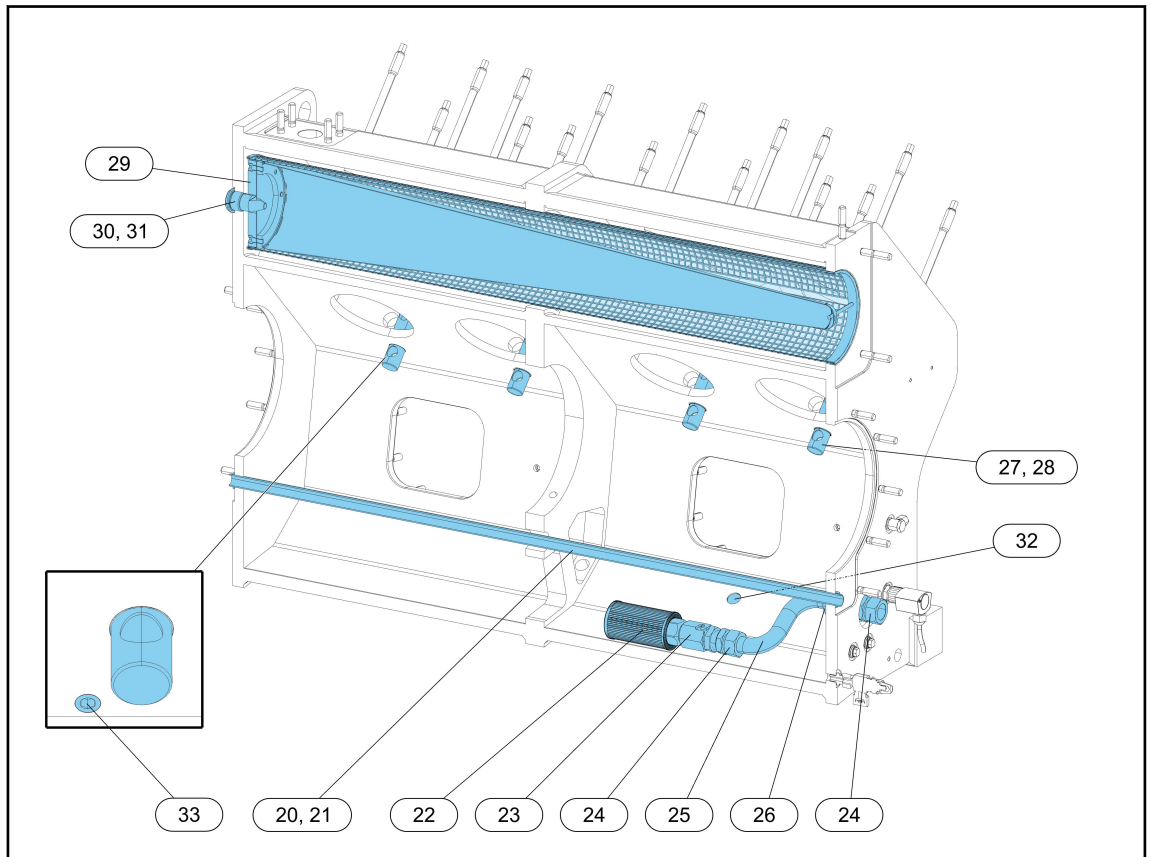
2885008 CRANKCASE GROUP V 750 XHP (Outside)



Pos	Qty	Item	Descripton of drawing 2885008	Remark
1	1	2185780	CRANKCASE V750 XHP ASSY	Not orderable
2	32	0125820	THREADED END M16 V XHP	
3	1	0339138	SWIVEL COUPLING 8G13	
4	1	0339136	SWIVEL COUPLING 6G13	
5	1	0338274	NIPPLE COUPLING 12G27	
6	1	0334592	COUPLING PLUG 12 WITH O-RING	
7	1	0385136	THERMOWELL 6 G13x60	
8	1	1256388	THERMOSENSOR PT1000 4x70x7500	
9	4	0338138	NIPPLE COUPLING 8G13	
10	4	0136134	JOINT BOLT G13S	
11	4	0941104	MULTI SEAL RING 1/4"	
12	1	1226002	SIGHT GLASS	

Pos	Qty	Item	Descripton of drawing 2885008	Remark
13	1	0941200	MULTISEAL RING 2"	
14	1	1372503	CRANKCASE HEATER 240V-525W Diameter: 16mm / Length: 606mm	Option KH1 see Blushop. Check your electrical diagram
15	1	0941102	MULTISEAL RING 1/2"	Option KH1 see Blushop. For compressor produced before 1-1-2016 #0914023.
16	1	0607011	VALVE TAH 8-12 Acc. PED 2014/68/EU (Art. 4 § 3)	
17	1	0338131	NIPPLE COUPLING 12G13	
18	1	1279651	FLOWSWITCH	Option KH2 see Blushop
19	1	0941020	MULTI SEAL RING M20	Option KH2 see Blushop
32	1	0365828	SEALING STOP G3/4"+ NBR	

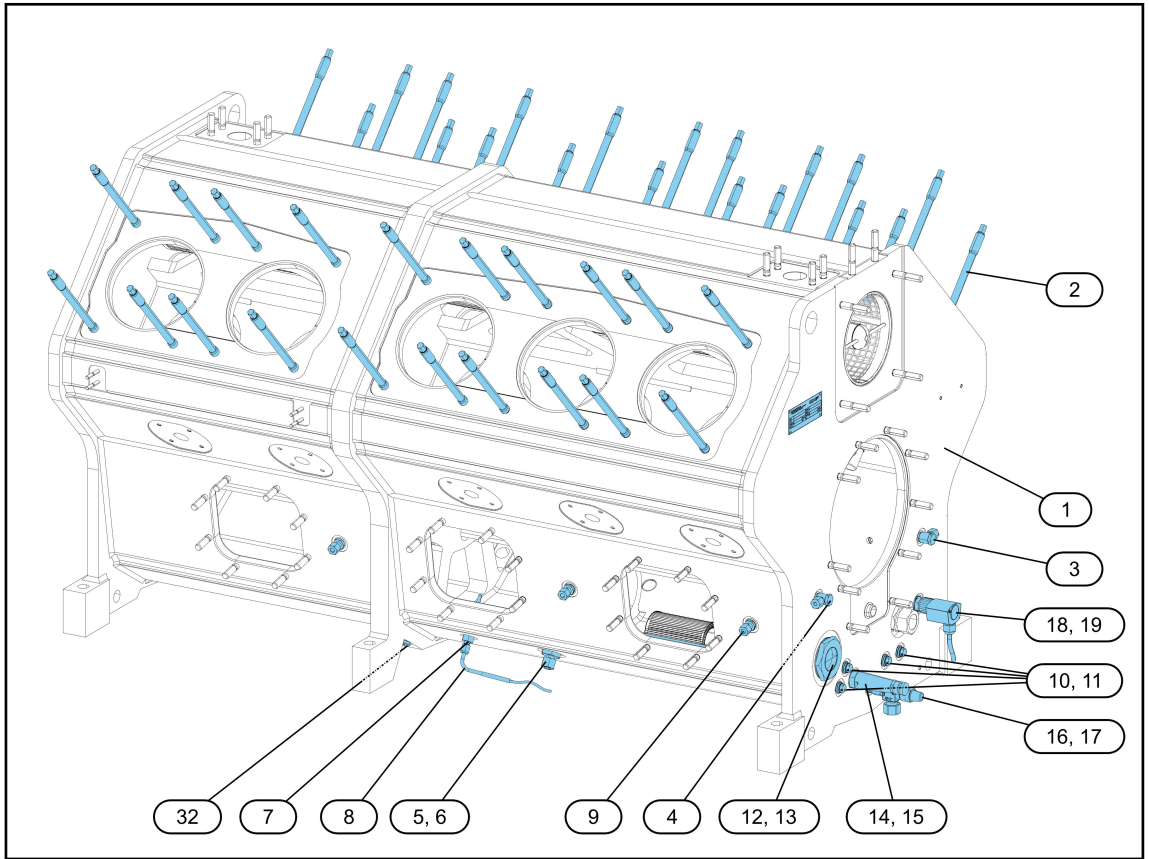
2885008 CRANKCASE GROUP V 750 XHP (Inside)



Pos	Qty	Item	Descripton of drawing 2885008	Remark
20	1	0223567	PIPE D22X2X1194	Not orderable
21	2	0955212	O-RING 21	
22	1	0715228	OIL STRAINER 390-1"NPT	
23	1	0386035	OIL SUCTION STRAINER BAYONET FITTING	
24	2	0338275	NIPPLE COUPLING 28G33	
25	1	0438319	BEND STEEL 28x3 V XHP	
26	1	0337332	SOCKET COUPLING 28G1"	
27	8	2184627	CRANKCASE EQUALIZATION INSERT V XHP	
28	8	0365833	SEALING STOP G33 (G1 ")	
29	1	0785008	CONUS SUCTION STRAINER ASSY V750 XHP	
30	1	0136230	PLUG G1 CONIC V-M	
31	1	0941100	MULTISEAL RING 1"	
32	2	0365828	SEALING STOP G3/4"+ NBR	
33	8	0123138	RESTRICTOR NPTF1/4-18-Lx1.5	

2885010 CRANKCASE GROUP V 950 XHP

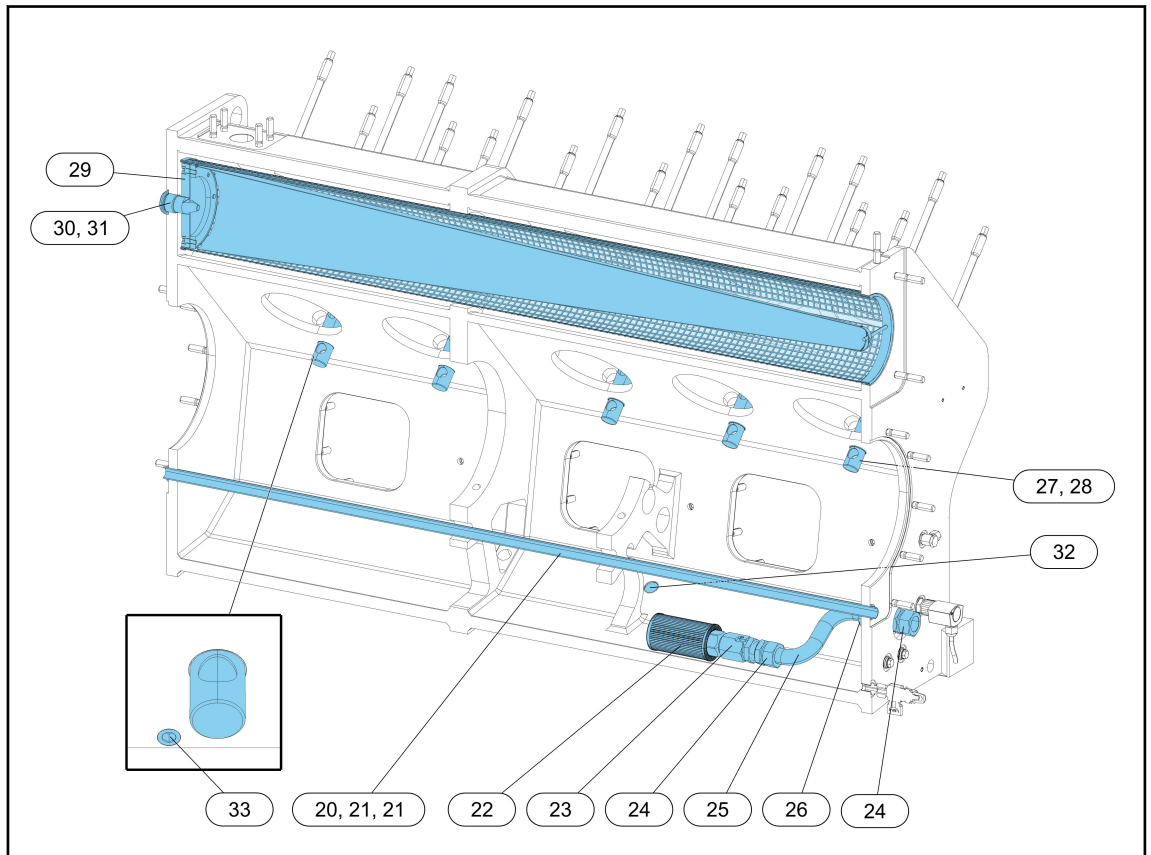
2885010 CRANKCASE GROUP V 950 XHP (Outside)



Pos	Qty	Item	Descripton of drawing 2885010	Remark
1	1	2185710	CRANCKCASE V950 XHP ASSY	Not orderable
2	40	0125820	THREADED END M16 V XHP	
3	1	0339138	SWIVEL COUPLING 8G13	
4	1	0339136	SWIVEL COUPLING 6G13	
5	1	0338274	NIPPLE COUPLING 12G27	
6	1	0334592	COUPLING PLUG 12 WITH O-RING	
7	1	0385136	THERMOWELL 6 G13x60	
8	1	1256388	THERMOSENSOR PT1000 4x70x7500	
9	6	0338138	NIPPLE COUPLING 8G13	
10	4	0136134	JOINT BOLT G13S	
11	4	0941104	MULTI SEAL RING 1/4"	
12	1	1226002	SIGHT GLASS	

Pos	Qty	Item	Descripton of drawing 2885010	Remark
13	1	0941200	MULTISEAL RING 2"	
14	1	1372503	CRANKCASE HEATER 240V-525W Diameter: 16mm / Length: 606mm	Option KH1 see Blushop. Check your electrical diagram
15	1	0941102	MULTISEAL RING 1/2"	Option KH1 see Blushop. For compressor produced before 1-1-2016 #0914023.
16	1	0607011	VALVE TAH 8-12 Acc. PED 2014/68/EU (Art. 4 § 3)	
17	1	0338131	NIPPLE COUPLING 12G13	
18	1	1279651	FLOWSWITCH	Option KH2 see Blushop
19	1	0941020	MULTI SEAL RING M20	Option KH2 see Blushop
32	1	0365828	SEALING STOP G3/4"+ NBR	

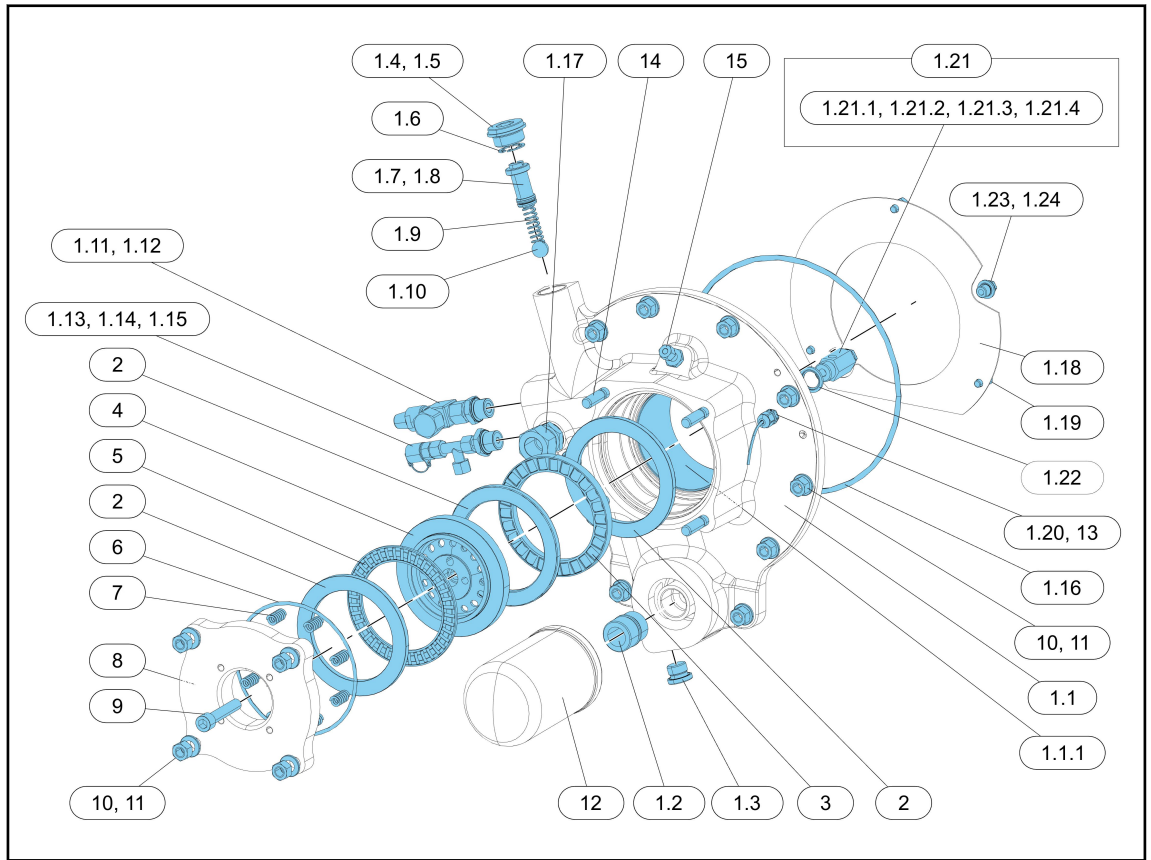
2885010 CRANKCASE GROUP V 950 XHP (Inside)



Pos	Qty	Item	Descripton of drawing 2885010	Remark
20	1	0223568	PIPE d22x2x1438	Not orderable
21	2	0955212	O-RING 21	
22	1	0715228	OIL STRAINER 390-1"NPT	
23	1	0386035	OIL SUCTION STRAINER BAYONET FITTING	
24	2	0338275	NIPPLE COUPLING 28G33	
25	1	0438319	BEND STEEL 28x3 V XHP	
26	1	0337332	SOCKET COUPLING 28G1"	
27	10	2184627	CRANKCASE EQUALIZATION INSERT V XHP	
28	10	0365833	SEALING STOP G33 (G1 ")	
29	1	0785010	CONUS SUCTION STRAINER ASSY V950 XHP	
30	1	0136230	PLUG G1 CONIC V-M	
31	1	0941100	MULTISEAL RING 1"	
32	1	0365828	SEALING STOP G3/4"+ NBR	
33	10	0123138	RESTRICTOR NPTF1/4-18-Lx1.5	

2.2.3 Bearing cover

2885300 BEARING COVER PUMP SIDE

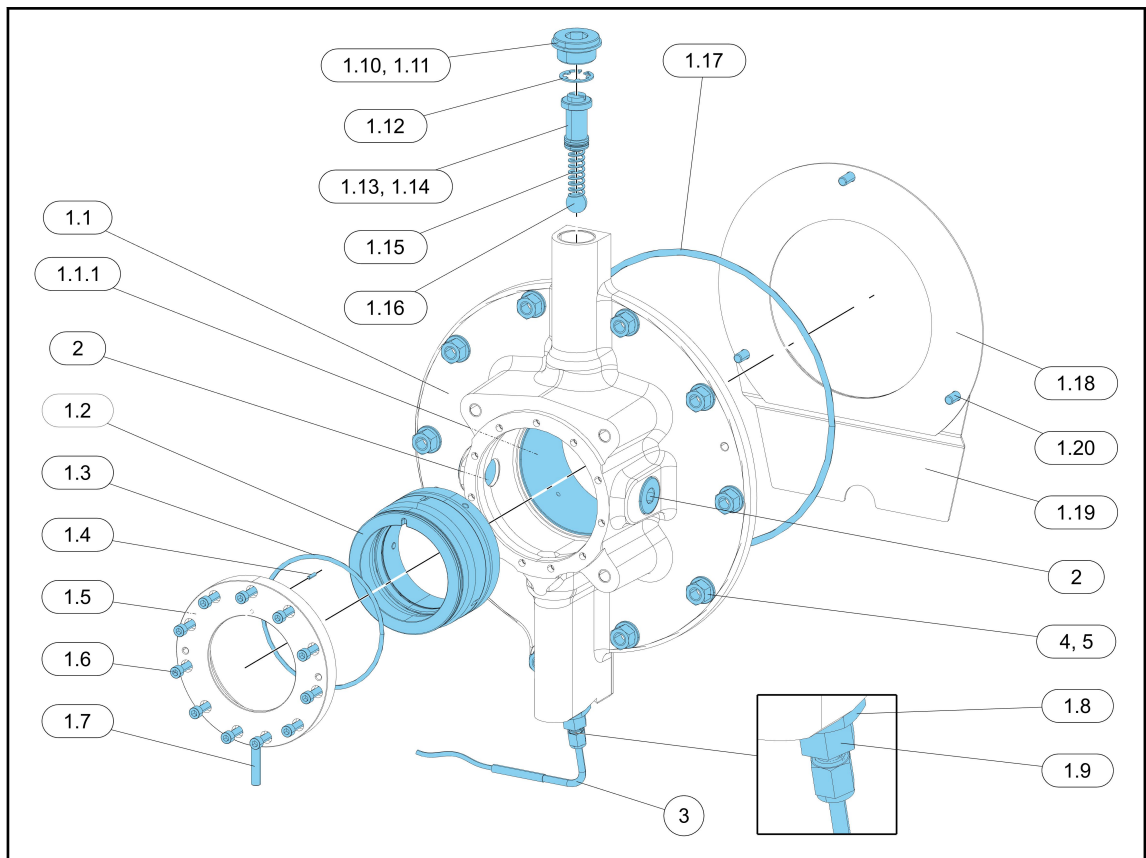


Pos	Qty	Item	Descripton of drawing 2885300	Remark
1	1	N.N.B.	BEARING COVER PZ-VL ASSY 2GEN STRENGTH TESTED	
1.1	1	N.N.B.	BEARING COVER PZ V-L 2GEN STRENGTH TESTED	
1.1.1	1	1146111	BEARING BUSH VXHP 117x70 HX	
1.2	1	0328033	DOUBLE NIPPLE G1x1.3/8 UNF	
1.3	1	0365822	SEALING STOP G1 / 2 "+ NBR	
1.4	1	0365833	SEALING STOP G33 (G1 ")	
1.5	1	0941100	MULTI SEAL RING 1"	
1.6	1	1104028	INTERNAL CIRCILP 28x1.2	
1.7	1	0135180	PRESSURE BOLT G3/4x50 V-L	
1.8	1	0952270	O-RING 16.00 A	
1.9	1	1131250	PRESSURE SPRING 2.0x12.5x49.5	
1.10	1	1119018	BALL-BEARINGL W18	

Pos	Qty	Item	Descripton of drawing 2885300	Remark
1.11	1	0607011	VALVE TAH 8-12Acc. PED 2014/68/EU (Art. 4 § 3)	
1.12	1	0338211	NIPPLE COUPLING 12G21	
1.13	1	0645608	MEASUREMENT COUPLING_PIPE CONNECTION 8MM	
1.14	1	0340408	T-COUPLING ANGLED 8x8x8	
1.15	1	0338208	NIPPLE COUPLING 8G21	
1.16	1	0952552	O-RING 250.00 A	
1.17	1	0338272	NIPPLE COUPLING 22G27	
1.18	1	1926213	COVER, OIL PS. V-L/V-M 160	
1.19	3	0110416	HEXAGON HEAD BOLT M8x16 - 8.8 DIN933 BLACK	
1.20	1	0965420	CABLE SCREW GLAND M12x1.5	
1.21	1	0386110	OVERFLOW OIL P.S. V ASSY	
1.21 .1	1	0386100	OVERFLOW OIL	Not orderable
1.21 .2	1	0136100	SCREW PLUG HEXAGON HEAD G3/8 - 12.2	Not orderable
1.21 .3	1	1119009	STEEL BALL W14	
1.21 .4	1	1131100	PRESSURE SPRING 1.5x10x8.5x38	Not orderable
1.22	1	0941102	MULTI SEAL RING 1/2"	
1.23	1	0136135	SCREW PLUG G1/4 - 6.6 DIN910 STAINLESS STEEL	
1.24	1	0941104	MULTI SEAL RING 1/4"	
2	3	1148006	DISC HOUSING RC12(E) MARK 1	
3	1	1148008	AX. CYL ROLLER RC12 MARK 1	
4	1	1138094	SHAFT DISC 90 V XHP	
5	1	1148002	AXIAL NEEDLE RC12(E) MARK 1.1	
6	1	0952389	O-RING 142.57 A	
7	8	1135226	DIE SPRING GRASSO 10 MARK1	

Pos	Qty	Item	Descripton of drawing 2885300	Remark
8	1	2748000	SPRING HOLDER THRUST BEARING V-L	
9	1	0104661	SOCKET HEAD SCREW M12x60	
10	14	0115610	HEXAGON NUT M12 RC11/12	
11	14	1113601	WASHER M12	
12	1	0711027	OIL FILTER GRASSO V	Use 0711028 OIL FILTER GRASSO V - RUNNING IN, after long standstill or Maintenance C
13	1	1298535	Magnetic field Sensors M7	
14	4	0151641	STUD BOLT M12x40 DIN938	
15	1	0338136	NIPPLE COUPLING 6G13	

2885305 BEARING COVER DRIVE SIDE

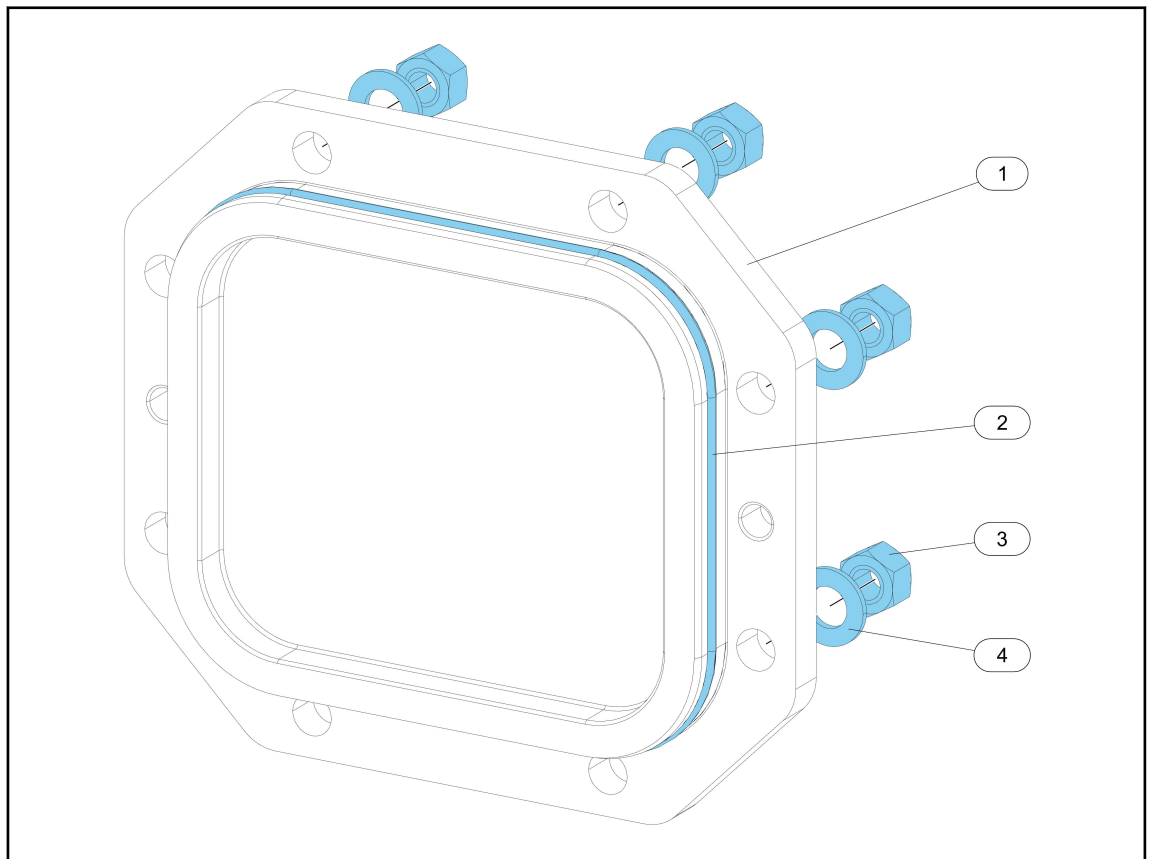


Pos	Qty	Item	Descripton of drawing 2885305	Remark
1	1	N.N.B.	BEARING COVER DZ VXHP & VL 2GEN ASSY STRENGTH TESTED	
1.1	1	N.N.B.	BEARING COVER DZ VXHP & VL 2GEN STRENGTH TESTED	

Pos	Qty	Item	Descripton of drawing 2885305	Remark
1.1. 1	1	1146111	BEARING BUSH VXHP 117x70 HX	
1.2	1	0984300	SHAFT SEAL 30Bar(g) 85mm	Recommendation; Order in combina- tion with Pos. 3, 4 and 5
1.3	1	0952382	O-RING 110.00 A	
1.4	1	1106312	CILINDERPIN 3X12	
1.5	1	2684010	SHAFT SEAL COVER HD V XHP	Recommendation; Order in combina- tion with Pos. 3
1.6	1	0104325	SOCKET HEAD SCREW M6x25	
1.7	1	4405008	OIL LINE 8 mm DRAIN	
1.8	1	0302213	SOCKET NIPPLE G13xG21	
1.9	1	0385134	THERMOWELL 6 G13x40	
1.10	1	0365833	SEALING STOP G33 (G1 ")	
1.11	1	0941100	MULTI SEAL RING 1"	
1.12	1	1104028	INTERNAL CIRCILP 28x1.2	
1.13	1	0135180	PRESSURE BOLT G3/4x50 V-L	
1.14	1	0952270	O-RING 16.00 A	
1.15	1	1131250	PRESSURE SPRING 2.0x12.5x49.5	
1.16	1	1119018	BALL-BEARINGL W18	
1.17	1	0952552	O-RING 250.00 A	
1.18	1	1926211	COVER, OIL, DS. VL 160	
1.19	1	1926215	SPLASHBOARD OIL AZ V-L	
1.20	3	0110416	HEXAGON HEAD BOLT M8x16 - 8.8 DIN933 BLACK	
2	2	0365828	SEALING STOP G3/4"+ NBR	
3	1	1256388	THERMOSENSOR PT1000 4x50x7500	
4	10	0115610	HEXAGON NUT M12 RC11/12	
5	10	1113601	WASHER M12	

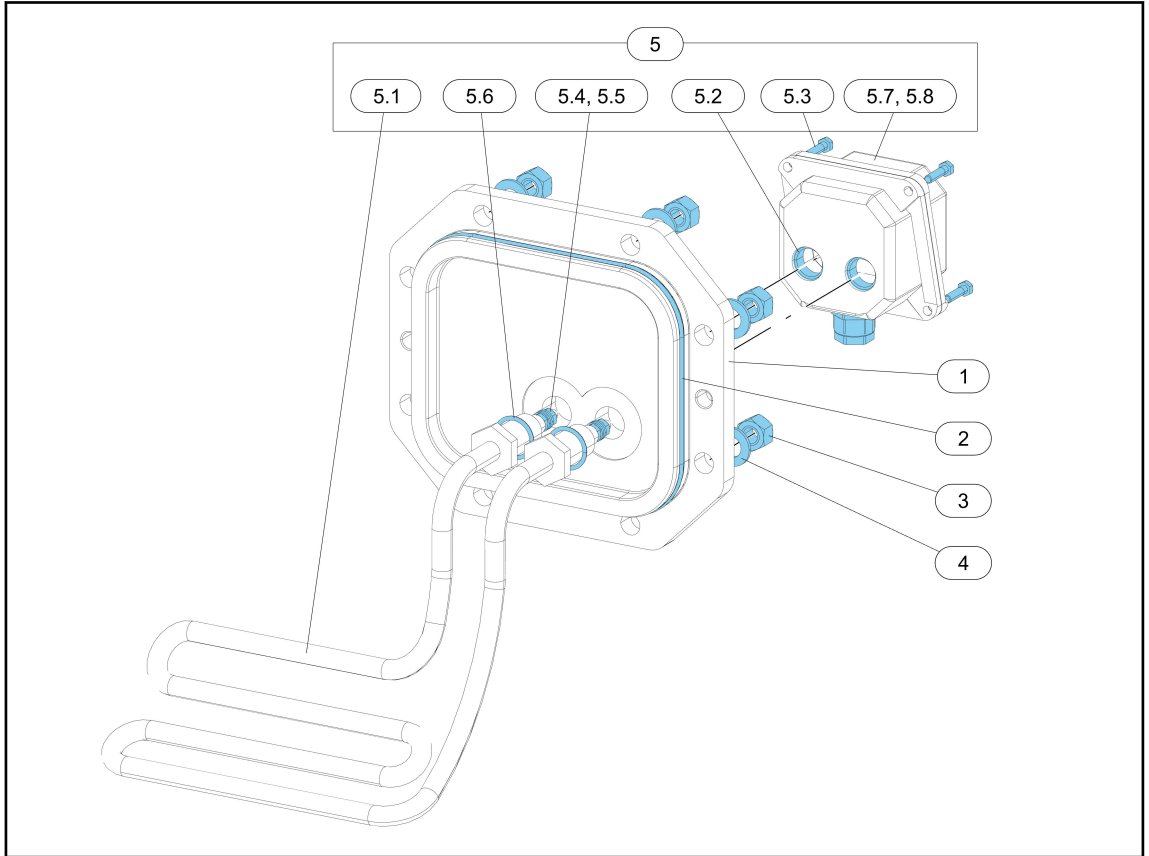
2.2.4 Service cover

2885040 SERVICE COVER GROUP V XHP



Pos	Qty	Item	Descripton of drawing 2885040	Remark
1	1	0530188	SERVICE COVER V XHP	
2	1	0952344	O-RING 177.39 A	
3	8	0115610	HEXAGON NUT M12 RC11/12	
4	8	1113601	WASHER M12	

2885045 SERVICE COVER GROUP V XHP CRANKCASE HEATER

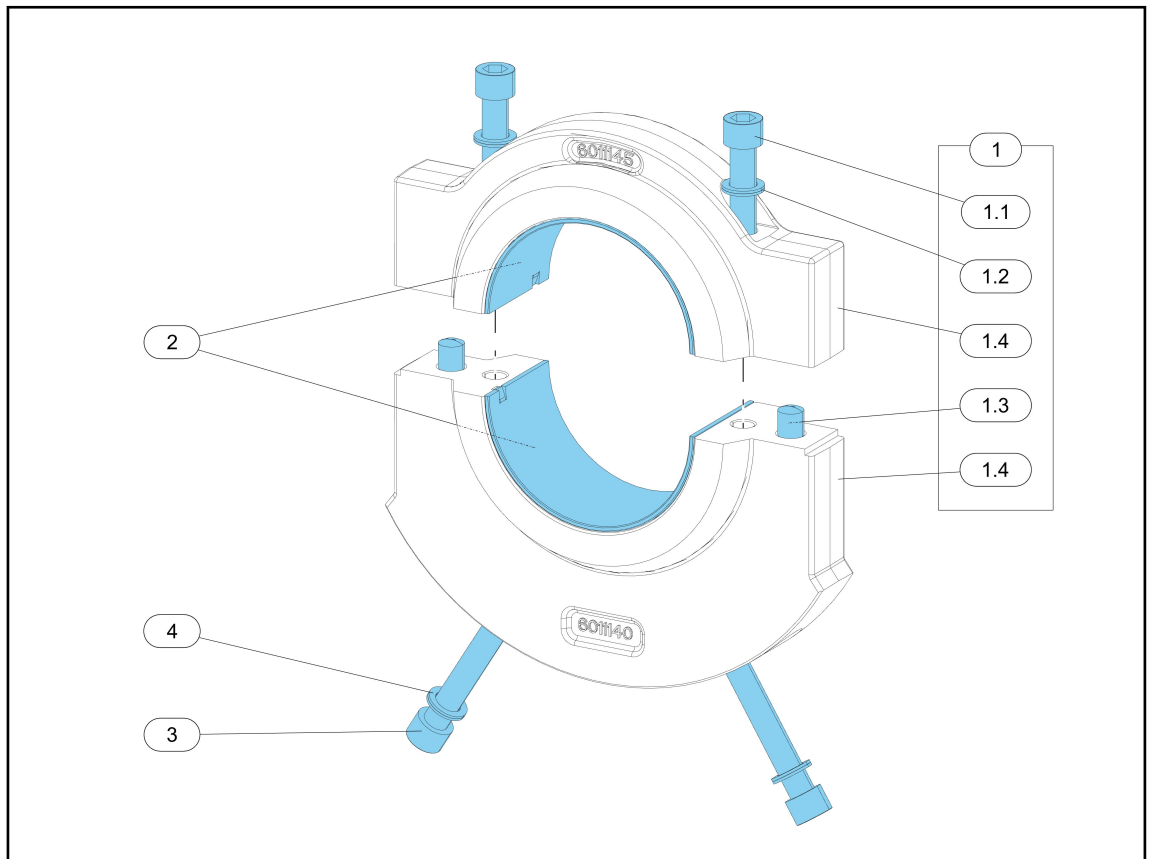


Pos	Qty	Item	Descripton of drawing 2885045	Remark
1	1	0530189	SERVICE COVER V XHP HEATING ELEMENT AN- GLED	
2	1	0952344	O-RING 177.39 A	
3	8	0115610	HEXAGON NUT M12 RC11/12	
4	8	1113601	WASHER M12	
5	1	1372120	CRANKCASE HEATER 240V 600W RIGHT ANGLED	
5.1	1	Element Heater	Element of Crankcase Heater	Not orderable
5.2	2	Hexagon Nut Crank- case Heat- er	Hexagon Nut Crankcase Heater	Not orderable
5.3	4	0110220	HEXAGON HEAD BOLT M5X20 - 8.8 DIN931 BLACK	
5.4	4	0115310	HEXAGON NUT M6 - 8 DIN934 BLACK	
5.5	4	1113013	FLAT WASHER M6	

Pos	Qty	Item	Descripton of drawing 2885045	Remark
5.6	2	0952268	O-RING 21.90 A	
5.7	1	Connection Box	Connection Box Crankcase Heater	Not orderable
5.8	1	Connection Box	Connection Box Crankcase Heater	Not orderable

2.2.5 Intermediate bearing

2885209 INTERMEDIATE BEARING

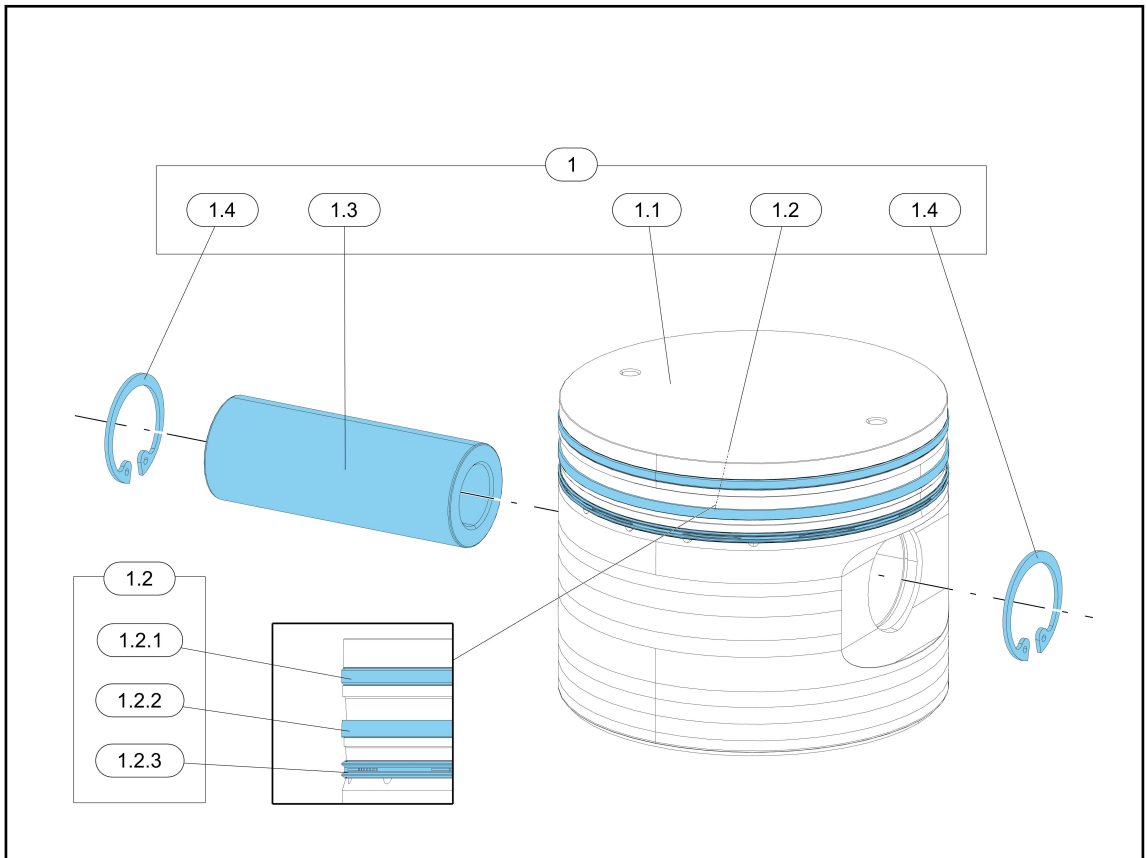


Pos	Qty	Item	Descripton of drawing 2885209	Remark
1	1	1169918	INTERMEDIATE BEARING BLOCK V XHP	
1.1	2	0104690	SOCKET HEAD SCREW M12x90 8.8	
1.2	2	1139600	LOCKING RING M12	
1.3	2	1106226	CILINDERPIN 12X26	

Pos	Qty	Item	Descripton of drawing 2885209	Remark
1.4	1	1169918	INTERMEDIATE BEARING BLOCK V XHP	Not orderable
2	1	1144108	BEARING SHELL SET 105x55 HX INTERMEDIATE BEARINGBLOCK V-XHP	
3	2	0104612	SOCKET HEAD SCREW M12x120	
4	2	1139600	LOCKING RING M12	

2.2.6 Piston

2885500 PISTON VXHP

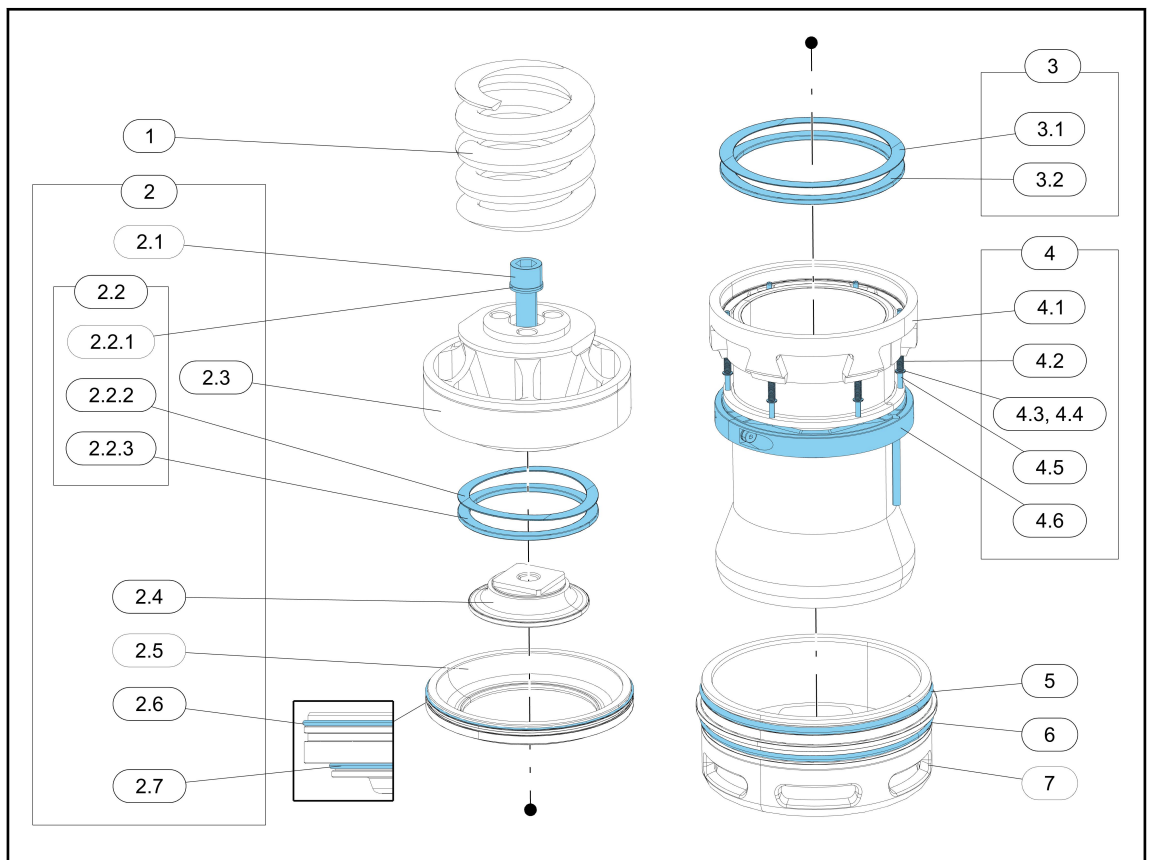


Pos	Qty	Item	Descripton of drawing 2885500	Remark
1	1	2485110	PISTON ASSY S110X30X88 V XHP	
1.1	1	2848110	PISTON 110 V XHP	Not orderable
1.2	1	3785025	SET OF PISTON RINGS V XHP ALL VARIANTS	
1.2.1	2	0970616	TAPER FACED PISTON RING 160x147,4x4CR	Not orderable

Pos	Qty	Item	Descripton of drawing 2885500	Remark
1.2. 2	1	0971718	OIL SCRAPER RING 160x151.5x5	Not orderable
1.2. 3	1	0985630	OIL CONTROL RING 110X3 V XHP	Not orderable
1.3	1	2420320	GUDGEON PIN V XHP	
1.4	2	1104030	INTERNAL CIRCLIP 30X1.2	

2.2.7 Cylinder & Discharge valve

2885400 CYLINDER V XHP

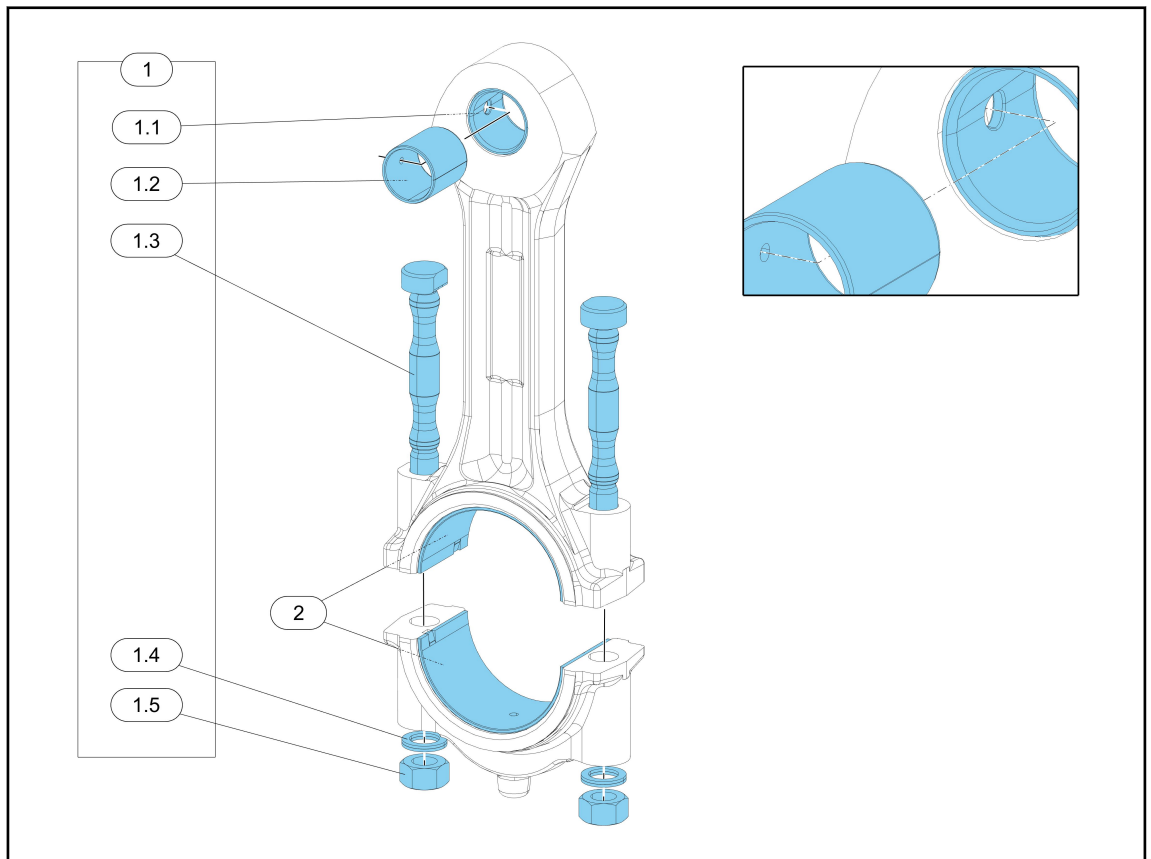


Pos	Qty	Item	Descripton of drawing 2885400	Remark
1	1	1131181	PRESSURE SPRING 18x88x2.4x115	
2	1	2785210	DISCHARGE VALVE V XHP	
2.1	1	0104880	HEXAGON HEAD BOLT M16x80	
2.2	1	3785030	DISCHARGE VALVE RING & SPRING SET V-XHP	
2.2. 1	1	1139800	NL LOCK WASHER SET 16	
2.2. 2	1	1133088	SINUSOIDAL SPRING V XHP DISCHARGE	Not orderable

Pos	Qty	Item	Descripton of drawing 2885400	Remark
2.2. 3	1	1134088	VALVE RING V XHP DISCHARGE	Not orderable
2.3	1	2784473	STROKE LIMITOR V XHP	Not orderable
2.4	1	2784412	VALVE PLATE V XHP INS	Not orderable
2.5	1	2784432	VALVE PLATE V XHP OUT	Not orderable
2.6	1	0952796	O-RING 152.00 C	
2.7	1	0952795	O-RING 133.00x1.72 FEPM	
3	1	3785040	SUCTION VALVE RING & SPRING SET V-XHP	
3.1	1	1133107	SINUSOIDAL SPRING V XHP SUCTION	Not orderable
3.2	1	1134107	VALVE RING V XHP SUCTION	Not orderable
4	1	2385110	CILINDER LINER V XHP SUB-ASSY	
4.1	1	2384110	CYLINDER LINER V XHP	
4.2	6	1131545	PRESSURE SPRING 0.5x5x18.5x44.5	
4.3	6	1113202	FLAT WASHER M4	
4.4	6	1103004	WASHER, AXLE 3.2X0.6	
4.5	6	1106466	CYLINDER PIN V XHP	
4.6	1	2785110	CAM RING V XHP SUB-ASSY	Not orderable
5	1	0952942	O-RING 160.00 C	
6	1	0952742	O-RING 160.00 B	
7	1	2184110	GUIDING RING V XHP	Not orderable

2.2.8 Conrod

2885100 CONROD GROUP V XHP

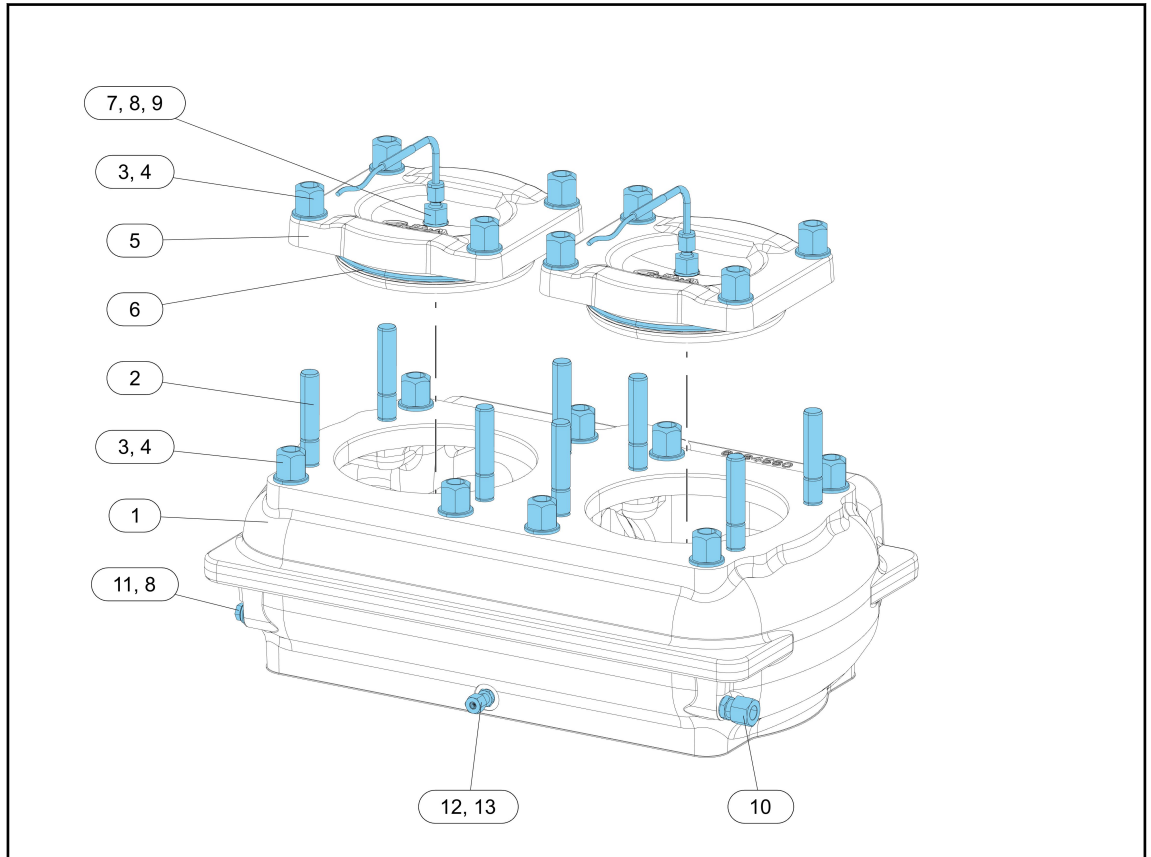


Pos	Qty	Item	Descripton of drawing 2885209	Remark
1	1	2470563	CON-ROD 275 V XHP	
1.1	1	1146341	BORE ADAPTOR SMALL END V XHP	
1.2	1	1146340	BEARING BUSH 30x34x37,5 HX	
1.3	2	0111811	CONNECTING ROD BOLT MF16x130 XHP	
1.4	2	1139800	NL LOCK WASHER SET 16	
1.5	2	0147805	HEXAGON NUT MF16	
2	1	1144588	BEARING SHELL SET 90X53 HX CONNECTING ROD V-XHP	

2.2.9 Cylinder head

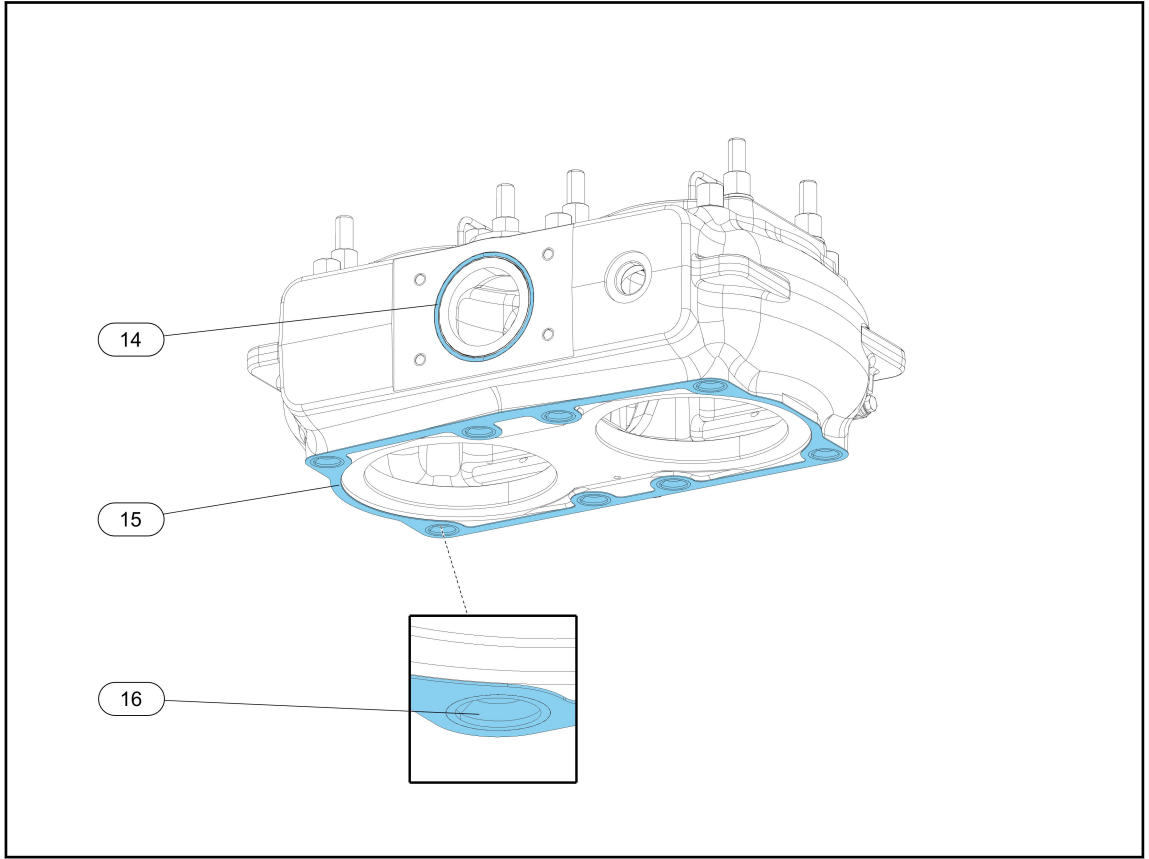
2885530 CYLINDER HEAD V XHP 2A

2885530 CYLINDER HEAD V XHP 2A part 1



Pos	Qty	Item	Description of drawing 2885530	Remark
1	1	2184550	DISCHARGE HEAD V XHP 2	Not orderable
2	8	0125850	STUD BOLT M16x100	
3	16	0120810	HEXAGON NUT 1.5D HEIGHT M16 - 10 DIN6330 BLACK	
4	16	1113801	WASHER M16	
5	2	0584102	CYLINDER HEAD COVER V XHP	
6	2	0952942	O-RING 160.00 C	
7	2	0385134	THERMOWELL 6 G13x40	
8	2	0941104	MULTI SEAL RING 1/4"	
9	2	1256388	THERMOSENSOR PT1000 4x70x7500	
10	1	0338131	NIPPLE COUPLING 12G13	
11	1	0136134	JOINT BOLT G13S	
12	1	0338106	NIPPLE COUPLING 6G10	
13	1	0334596	COUPLING PLUG 6 WITH O-RING	

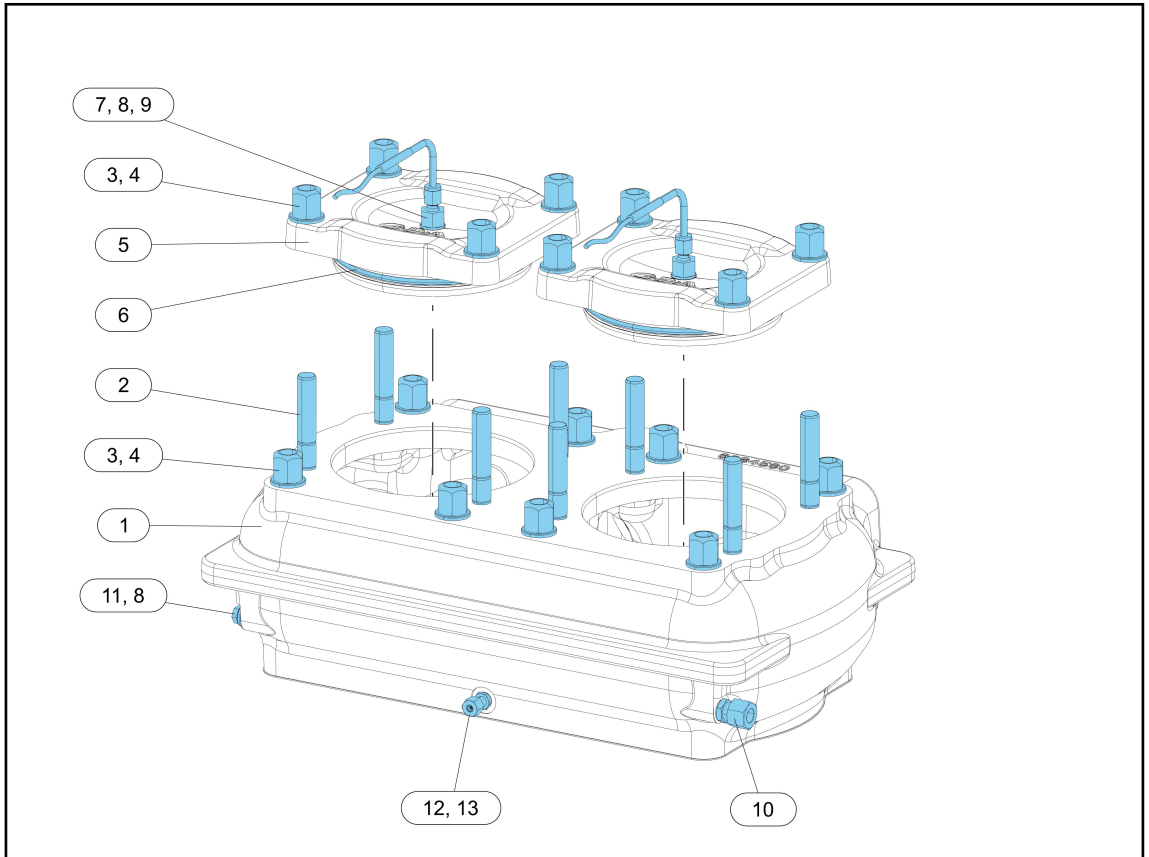
2885530 CYLINDER HEAD V XHP 2A part 2



Pos	Qty	Item	Descripton of drawing 2885530	Remark
14	1	0952971	O-RING 99.00 C	
15	1	0984207	CYLINDER HEAD GASKET V XHP 2	
16	8	1116315	SPACER 31x8.9x16.2	

2885531 CYLINDER HEAD V XHP 2B

2885531 CYLINDER HEAD V XHP 2B part 1



Pos	Qty	Item	Descripton of drawing 2885531	Remark
1	1	2184550	DISCHARGE HEAD V XHP 2	Not orderable
2	8	0125850	STUD BOLT M16x100	
3	16	0120810	HEXAGON NUT 1.5D HEIGHT M16 - 10 DIN6330 BLACK	
4	16	1113801	WASHER M16	
5	2	0584102	CYLINDER HEAD COVER V XHP	
6	2	0952942	O-RING 160.00 C	
7	2	0385134	THERMOWELL 6 G13x40	
8	2	0941104	MULTI SEAL RING 1/4"	
9	2	1256388	THERMOSENSOR PT1000 4x70x7500	
10	1	0338131	NIPPLE COUPLING 12G13	
11	1	0136134	JOINT BOLT G13S	
12	1	0338106	NIPPLE COUPLING 6G10	
13	1	0334596	COUPLING PLUG 6 WITH O-RING	

2885531 CYLINDER HEAD V XHP 2B part 2

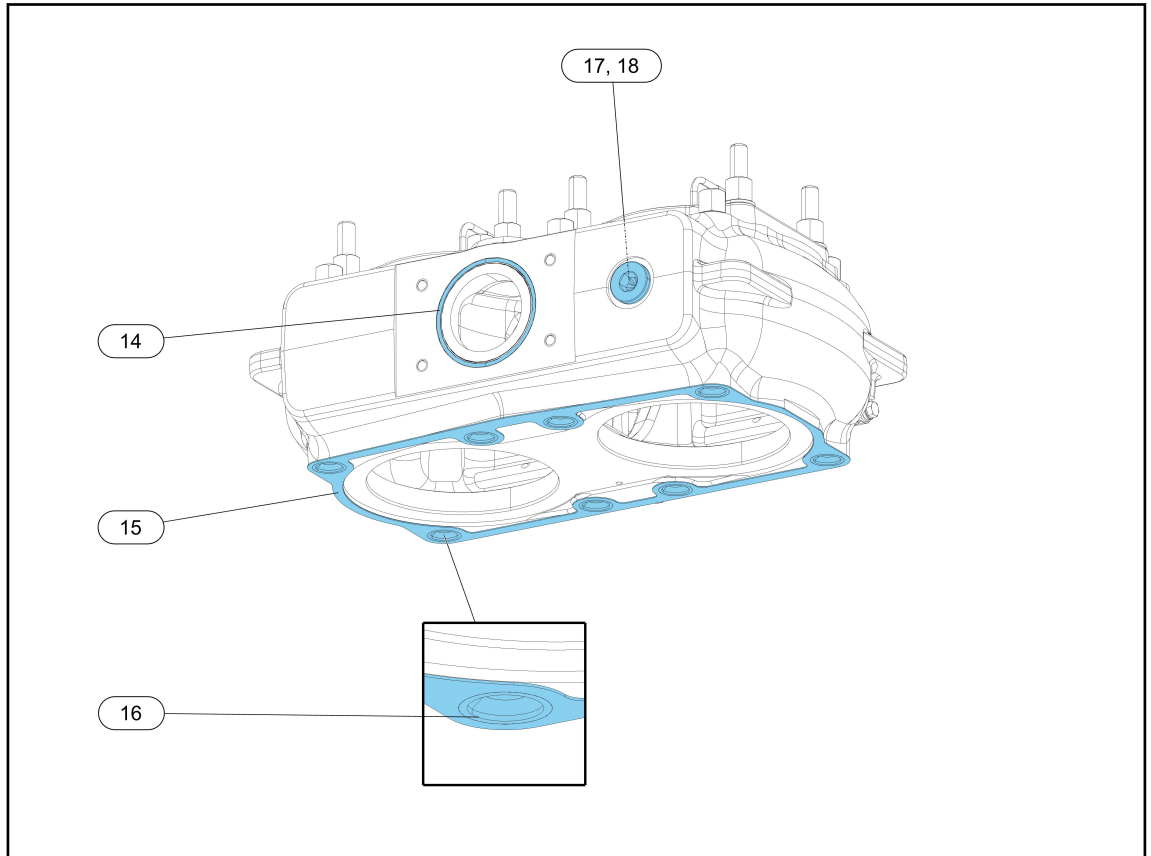
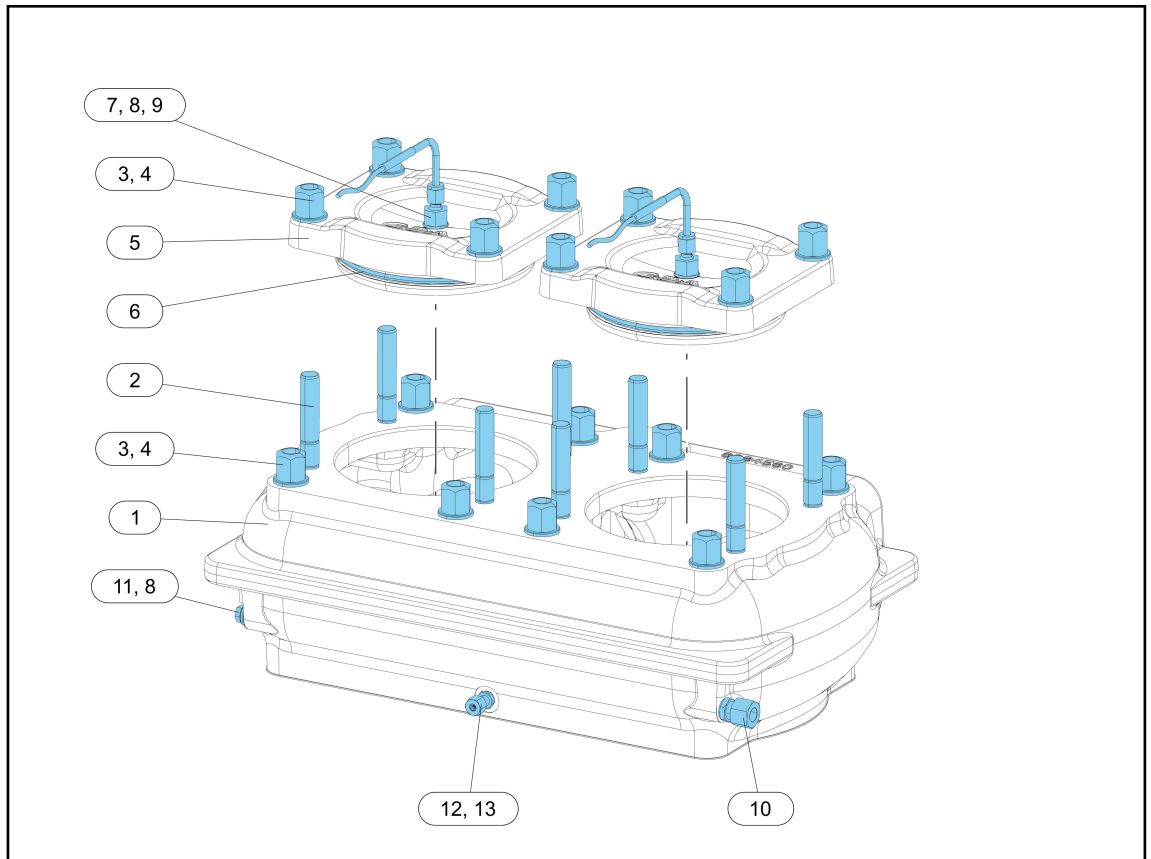


Figure 2-1 -

Pos	Qty	Item	Descripton of drawing 2885531	Remark
14	1	0952971	O-RING 99.00 C	
15	1	0984207	CYLINDER HEAD GASKET V XHP 2	
16	8	1116315	SPACER 31x8.9x16.2	
17	1	0365833	SEALING STOP G33 (G1 ")	
18	1	0914033	RING ALUMINIUM 33x39x2	

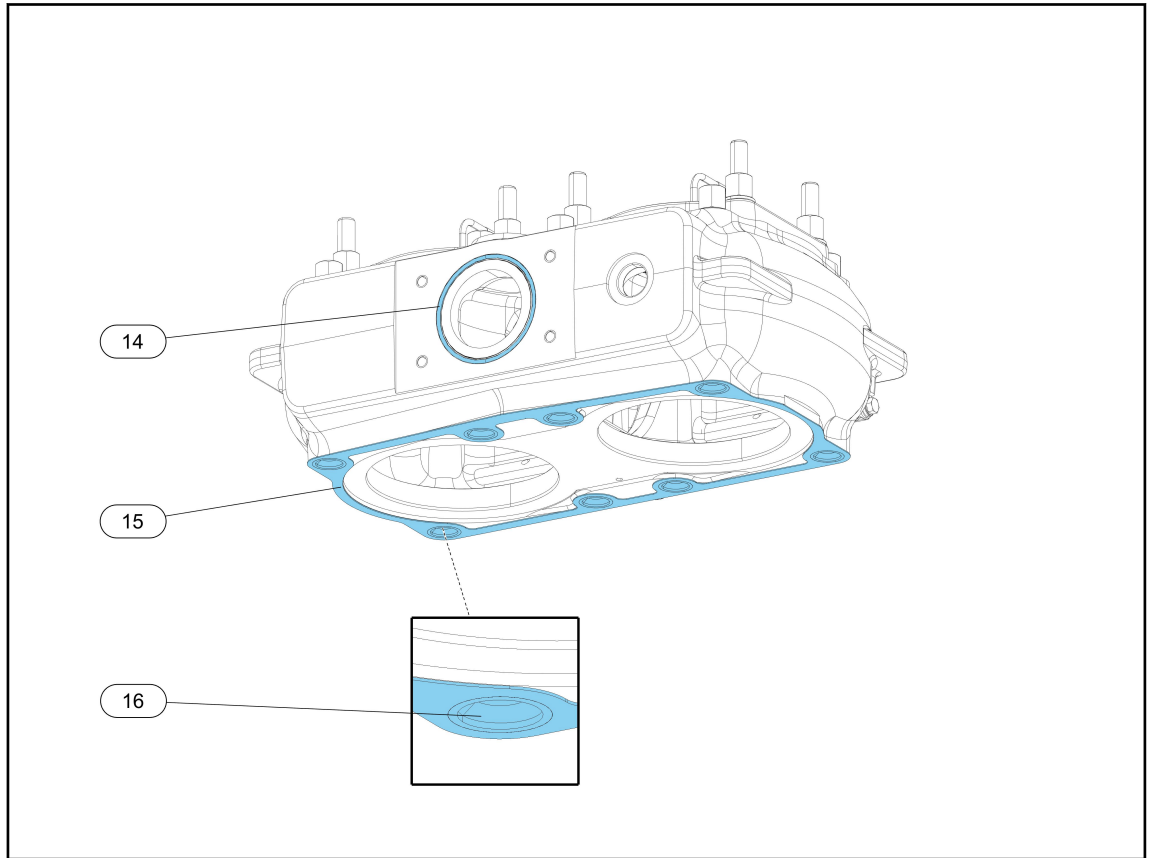
2885520 CYLINDER HEAD V XHP 3A

2885520 CYLINDER HEAD V XHP 3A part 1



Pos	Qty	Item	Descripton of drawing 2885520	Remark
1	1	2184510	DISCHARGE HEAD V XHP 3	Not orderable
2	12	0125850	STUD BOLT M16x100	
3	24	0120810	HEXAGON NUT 1.5D HEIGHT M16 - 10 DIN6330 BLACK	
4	24	1113801	WASHER M16	
5	3	0584102	CYLINDER HEAD COVER V XHP	
6	3	0952942	O-RING 160.00 C	
7	3	0385134	THERMOWELL 6 G13x40	
8	3	0941104	MULTI SEAL RING 1/4"	
9	3	1256388	THERMOSENSOR PT1000 4x70x7500	
10	1	0338131	NIPPLE COUPLING 12G13	
11	1	0136134	JOINT BOLT G13S	
12	1	0338106	NIPPLE COUPLING 6G10	
13	1	0334596	COUPLING PLUG 6 WITH O-RING	

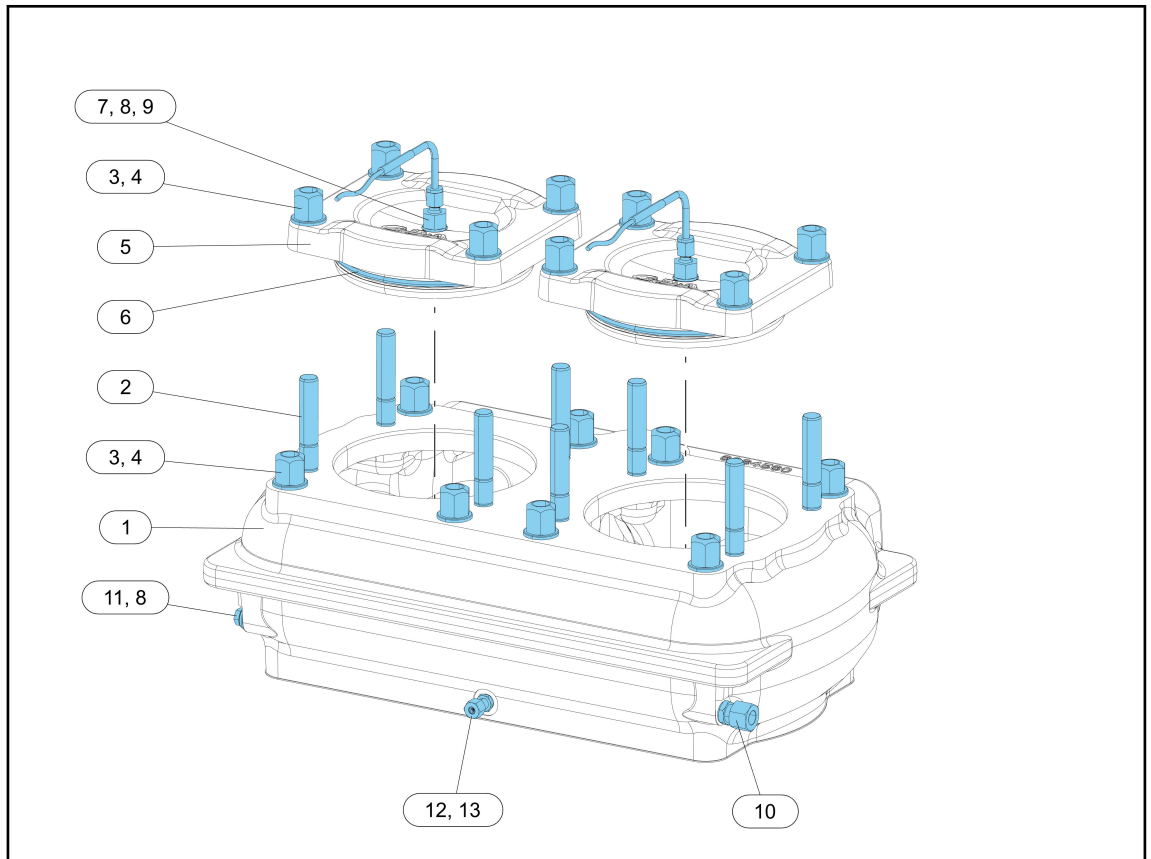
2885520 CYLINDER HEAD V XHP 3A part 2



Pos	Qty	Item	Descripton of drawing 2885520	Remark
14	1	0952971	O-RING 99.00 C	
15	1	0984211	CYLINDERHEAD GASKET V XHP 3	
16	12	1116315	SPACER 31x8.9x16.2	

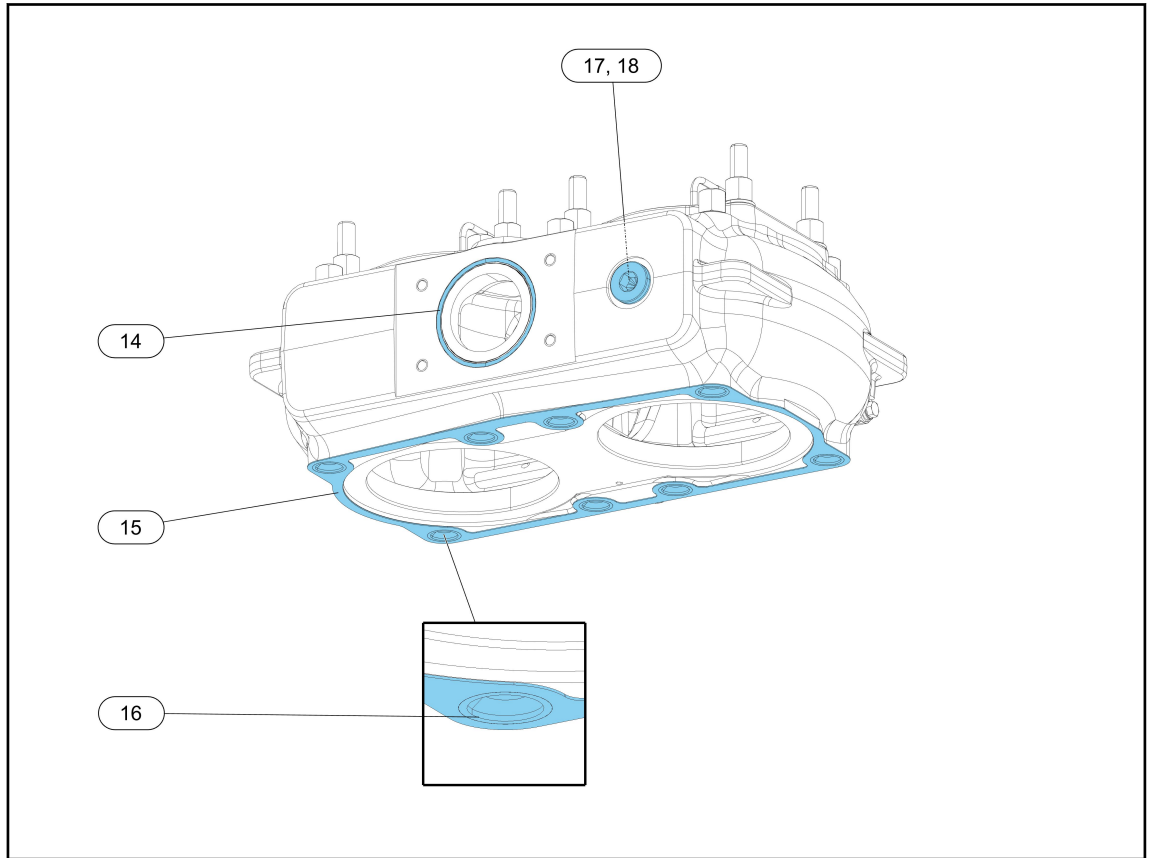
2885521 CYLINDER HEAD V XHP 3B

2885521 CYLINDER HEAD V XHP 3B part 1



Pos	Qty	Item	Descripton of drawing 2885521	Remark
1	1	2184510	DISCHARGE HEAD V XHP 3	Not orderable
2	12	0125850	STUD BOLT M16x100	
3	24	0120810	HEXAGON NUT 1.5D HEIGHT M16 - 10 DIN6330 BLACK	
4	24	1113801	WASHER M16	
5	3	0584102	CYLINDER HEAD COVER V XHP	
6	3	0952942	O-RING 160.00 C	
7	3	0385134	THERMOWELL 6 G13x40	
8	3	0941104	MULTI SEAL RING 1/4"	
9	3	1256388	THERMOSENSOR PT1000 4x70x7500	
10	1	0338131	NIPPLE COUPLING 12G13	
11	1	0136134	JOINT BOLT G13S	
12	1	0338106	NIPPLE COUPLING 6G10	
13	1	0334596	COUPLING PLUG 6 WITH O-RING	

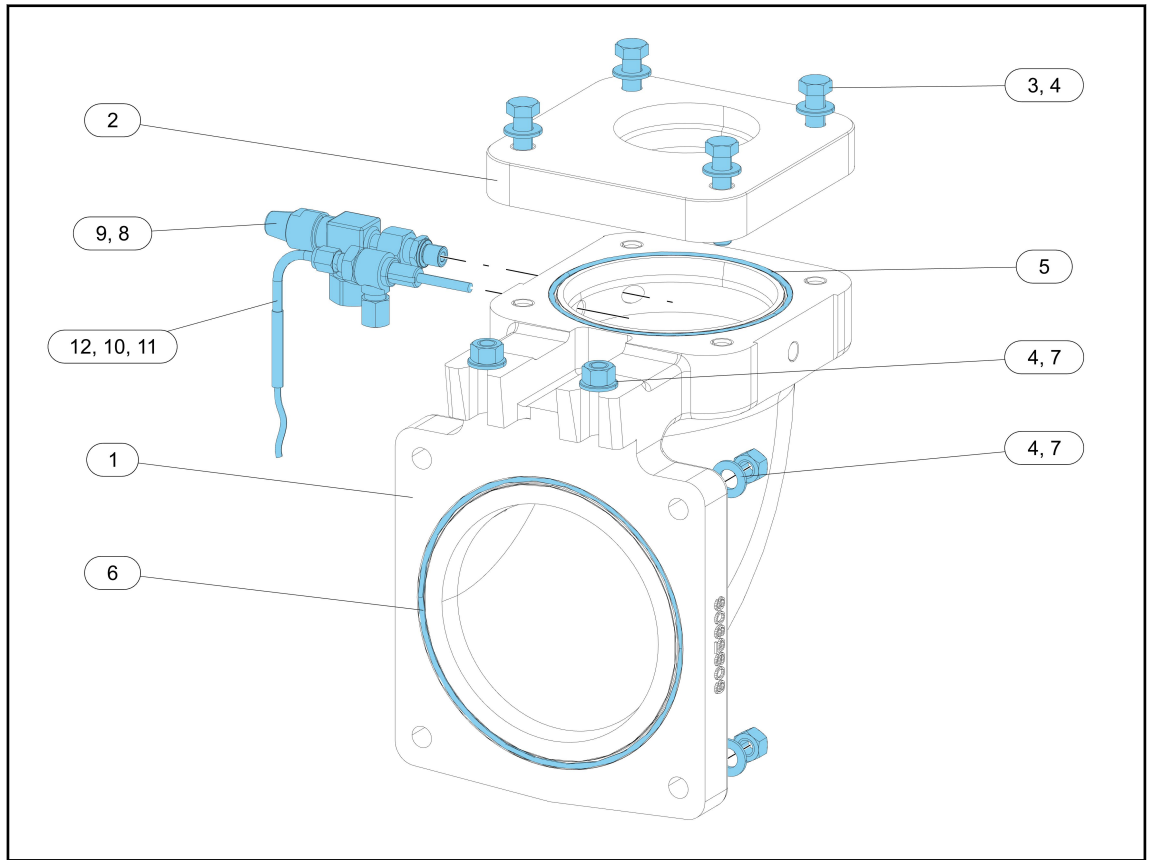
2885521 CYLINDER HEAD V XHP 3B part 2



Pos	Qty	Item	Descripton of drawing 2885521	Remark
14	1	0952971	O-RING 99.00 C	
15	1	0984211	CYLINDERHEAD GASKET V XHP 3	
16	12	1116315	SPACER 31x8.9x16.2	
17	1	0365833	SEALING STOP G33 (G1 ")	
18	1	0914033	RING ALUMINIUM 33x39x2	

2.2.10 Suction connection

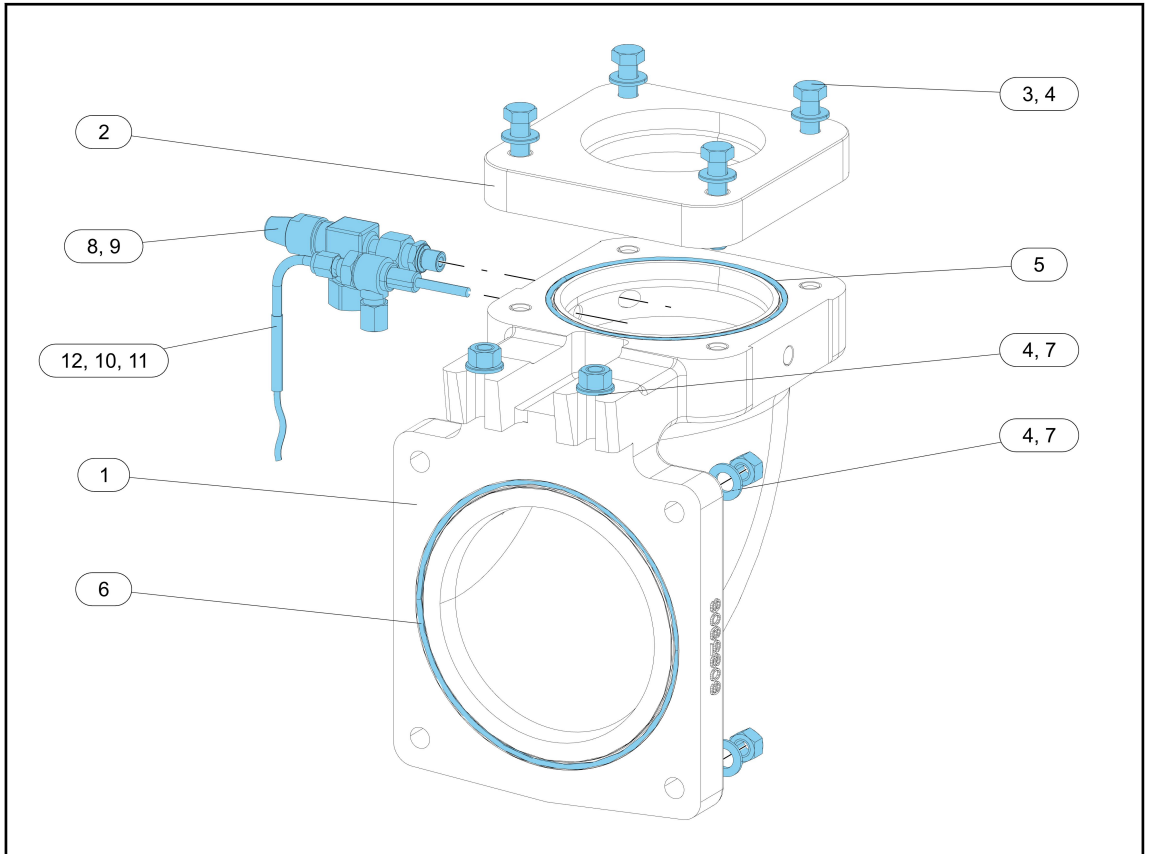
2885907 SUCTION CONNECTION GROUP V 350 XHP



Pos	Qty	Item	Descripton of drawing 2885907	Remark
1	1	2184106	SUCTION CONNECTION V XHP	Not orderable
2	1	0501339	WELDING FLANGE SQR DN80 SC 186	
3	4	0110660	HEXAGON BOLT M12x60 St GR 8.8 DIN931	
4	10	1113601	WASHER M12	
5	1	0952374	O-RING 145.00 A	
6	1	0952346	O-RING 183.74 A	
7	6	0115610	HEXAGON NUT M12 RC11/12	
8	1	0338131	NIPPLE COUPLING 12G13	Option ZL3 see Blushop
9	1	0607011	VALVE TAH 8-12 Acc. PED 2014/68/EU (Art. 4 § 3)	Option ZL3 see Blushop

Pos	Qty	Item	Descripton of drawing 2885907	Remark
10	1	0385157	THERMOWELL THREADED 6G13x76x16.45x23.8	Option ZL1 see Blushop
11	1	0385633	PLUG-IN COMBINATION G13X30	Option ZL1 see Blushop
12	1	1256188	THERMOSENSOR PT1000 4x70x3000	Option ZL1 see Blushop

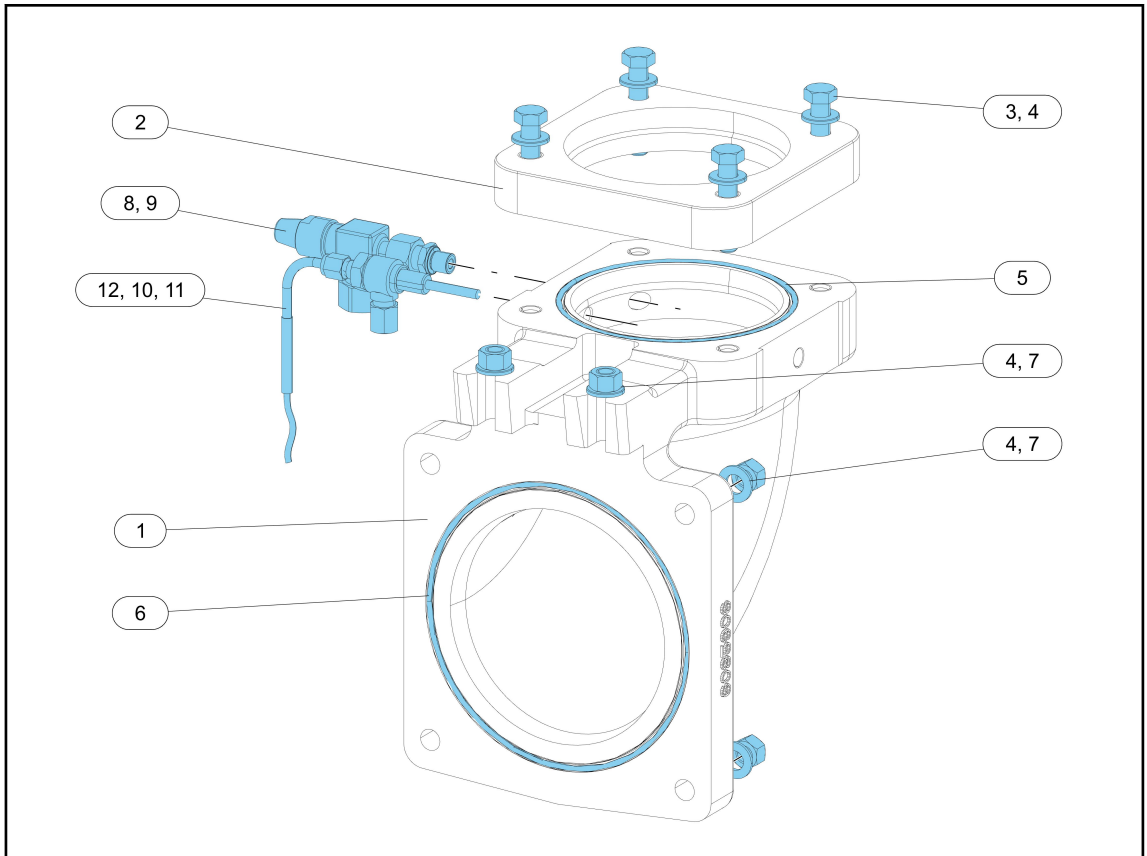
2885908 SUCTION CONNECTION GROUP V 550 XHP



Pos	Qty	Item	Descripton of drawing 2885908	Remark
1	1	2184106	SUCTION CONNECTION V XHP	Not orderable
2	1	0501337	WELDING FLANGE SQR DN100 SC 186	
3	4	0110660	HEXAGON BOLT M12x60 St GR 8.8 DIN931	
4	10	1113601	WASHER M12	
5	1	0952374	O-RING 145.00 A	
6	1	0952346	O-RING 183.74 A	

Pos	Qty	Item	Descripton of drawing 2885908	Remark
7	6	0115610	HEXAGON NUT M12 RC11/12	
8	1	0607011	VALVE TAH 8-12 Acc. PED 2014/68/EU (Art. 4 § 3)	Option ZL3 see Blushop
9	1	0338131	NIPPLE COUPLING 12G13	Option ZL3 see Blushop
10	1	0385157	THERMOWELL THREADED 6G13x76x16.45x23.8	Option ZL1 see Blushop
11	1	0385633	PLUG-IN COMBINATION G13X30	Option ZL1 see Blushop
12	1	1256188	THERMOSENSOR PT1000 4x70x3000	Option ZL1 see Blushop

2885909 SUCTION CONNECTION GROUP V 750 XHP & V 950 XHP

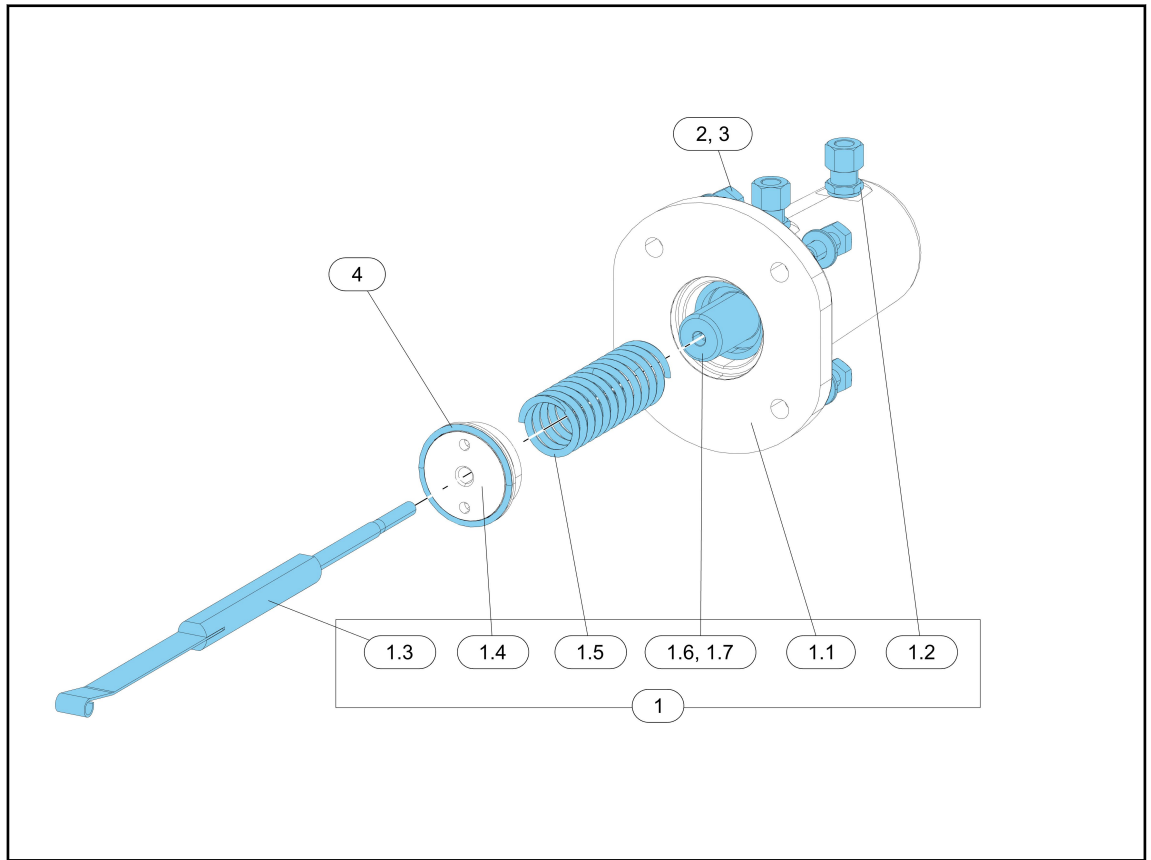


Pos	Qty	Item	Descripton of drawing 2885909	Remark
1	1	2184106	SUCTION CONNECTION V XHP	Not orderable
2	1	0501335	WELDING FLANGE DN125 STC186	
3	4	0110660	HEXAGON BOLT M12x60 St GR 8.8 DIN931	

Pos	Qty	Item	Descripton of drawing 2885909	Remark
4	10	1113601	WASHER M12	
5	1	0952374	O-RING 145.00 A	
6	1	0952346	O-RING 183.74 A	
7	6	0115610	HEXAGON NUT M12 RC11/12	
8	1	0607011	VALVE TAH 8-12 Acc. PED 2014/68/EU (Art. 4 § 3)	Option ZL3 see Blushop
9	1	0338131	NIPPLE COUPLING 12G13	Option ZL3 see Blushop
10	1	0385157	THERMOWELL THREADED 6G13x76x16.45x23.8	Option ZL1 see Blushop
11	1	0385633	PLUG-IN COMBINATION G13X30	Option ZL1 see Blushop
12	1	1256188	THERMOSENSOR PT1000 4x70x3000	Option ZL1 see Blushop

2.2.11 Valve lifting assembly

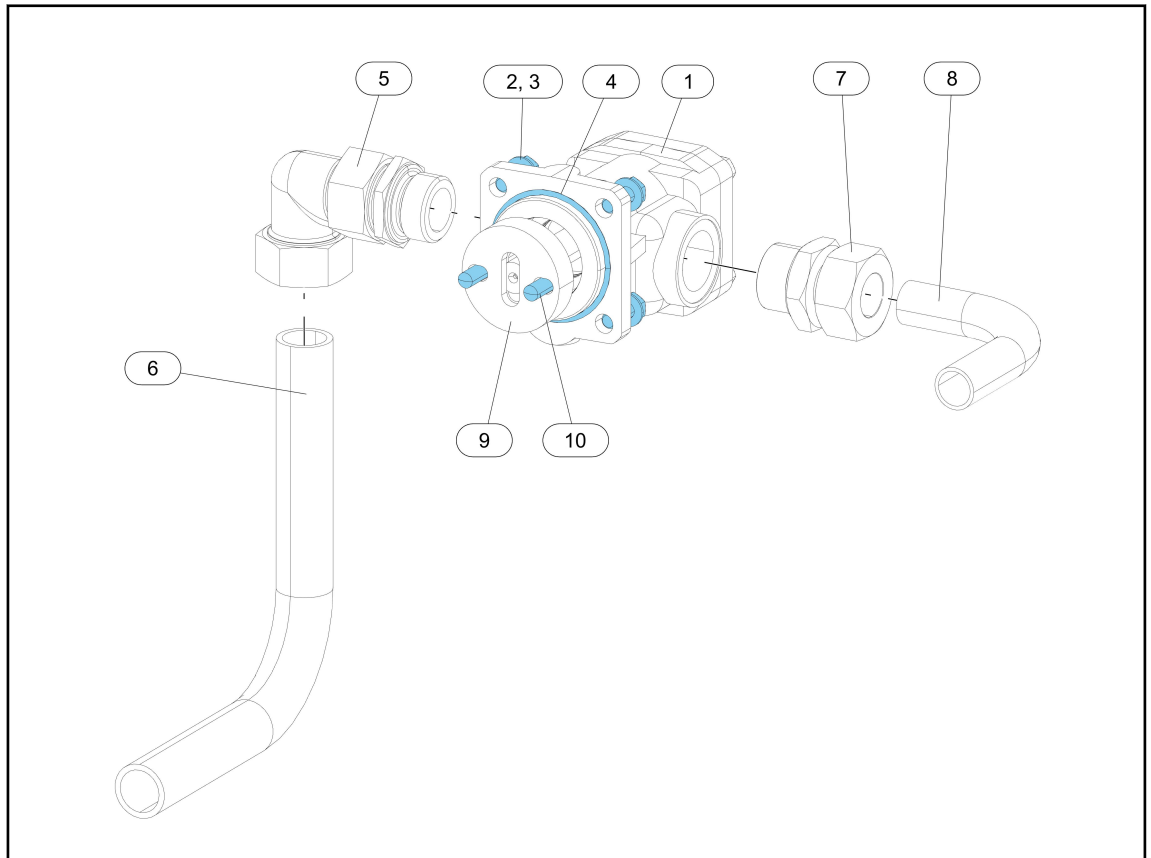
2849801 - VALVE LIFTING ASSY V-L & VXHP Single



Pos	Qty	Item	Descripton of drawing 2849801	Remark
1	1	2749208	VALVE LIFT HOUSING ASSEMBLY VL SINGLE PRESSURE TESTED	
1.1	1	2749206	VALVE LIFTING HOUSING ASSEMBLY VL SINGLE	Not orderable
1.2	2	0338108	NIPPLE COUPLING 8G10	
1.3	1	2791027	PUSH HANDLE VALVE LIFTING V-L	
1.4	1	2690712	SHAFT GUIDE M39x1,5xV-L	
1.5	1	1131313	PRESSURE SPRING 3.2x25x12.5x135	
1.6	1	2690035	PISTON VALVE LIFTING 35X42	
1.7	1	0952328	QUAD RING 35	
2	4	0110420	HEXAGON HEAD BOLT M8x20 - 8.8 DIN933 BLACK	
3	4	1113401	WASHER M8	
4	1	0952289	O-RING 40.95 A	

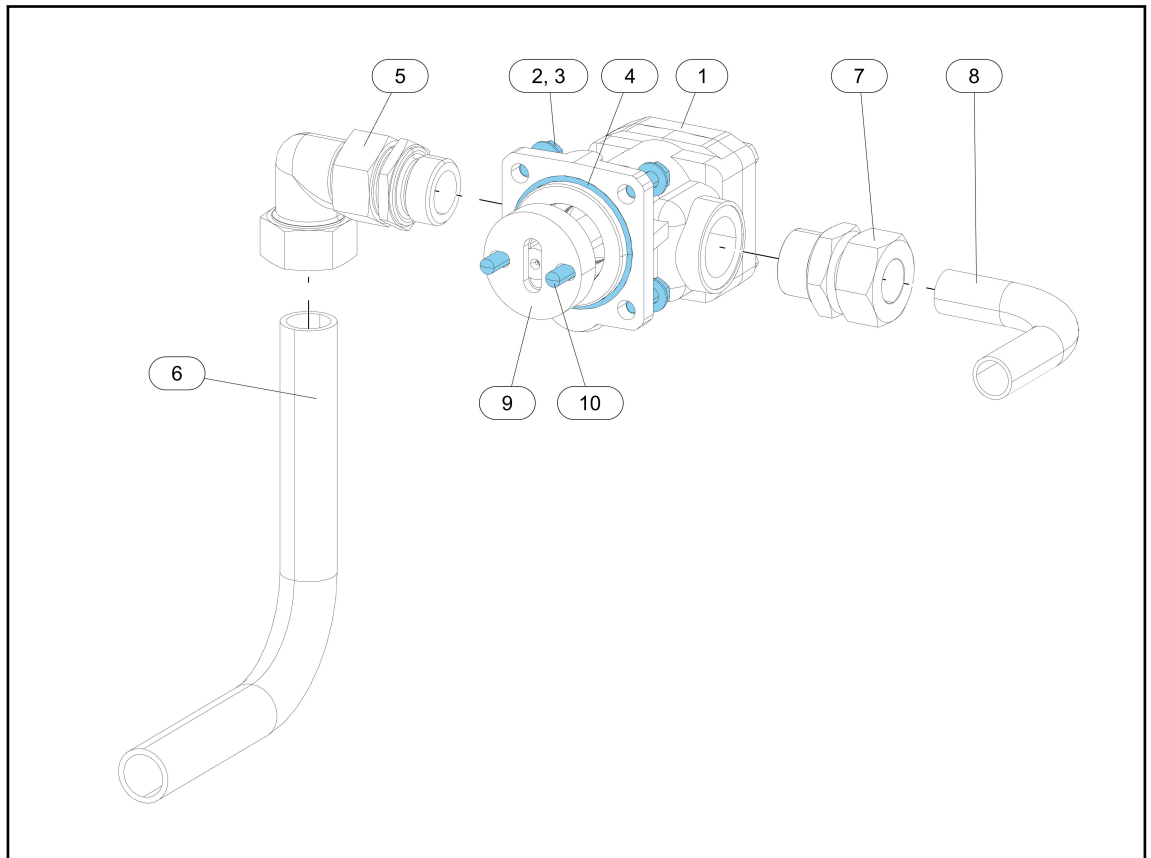
2.2.12 Oil pump

2849700 OIL SYSTEM GROUP V 700 & V 1100 & V 350 XHP & V 550 XHP Right Rotation



Pos	Qty	Item	Descripton of drawing 2849700	Remark
1	1	2648130	OIL PUMP V700 / V1100	
2	4	0110420	HEXAGON HEAD BOLT M8x20 - 8.8 DIN933 BLACK	
3	4	1113401	WASHER M8	
4	1	0952260	O-RING 60.00 A	
5	1	0341329	ANGLED COUPLING 28xG1"	
6	1	0438305	BEND STEEL 28X3 R V-L	
7	1	0338277	NIPPLE COUPLING 22G33	
8	1	0438307	BEND STEEL 22x2 R V-L	
9	1	1125006	CARRIER DISC 55X8	
10	2	1106829	CILINDERPIN 8X28	

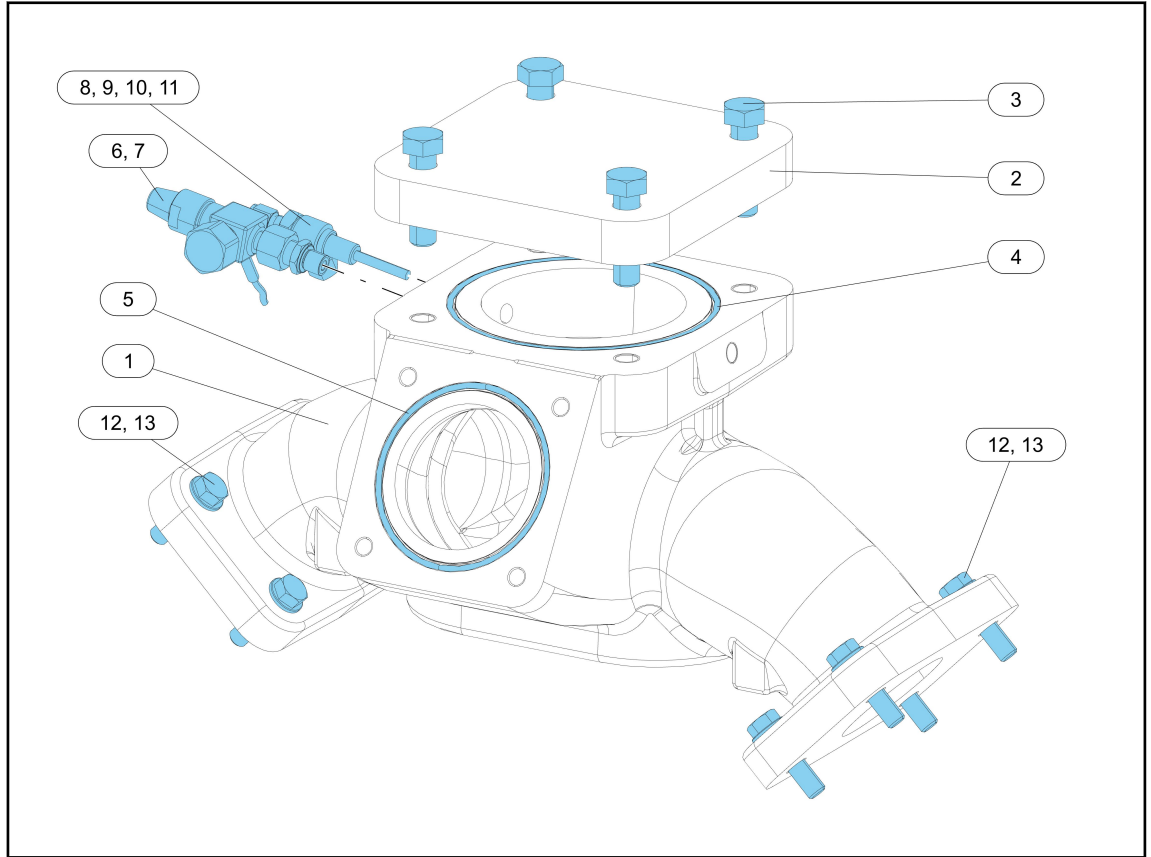
2849720 OIL SYSTEM GROUP V 1400 & V 1800 & V 750 XHP & V 950 XHP Right Rotation



Pos	Qty	Item	Descripton of drawing 2849720	Remark
1	1	2648135	OIL PUMP V1400 / V1800	
2	4	0110420	HEXAGON HEAD BOLT M8x20 - 8.8 DIN933 BLACK	
3	4	1113401	WASHER M8	
4	1	0952260	O-RING 60.00 A	
5	1	0341329	ANGLED COUPLING 28xG1"	
6	1	0438305	BEND STEEL 28X3 R V-L	
7	1	0338277	NIPPLE COUPLING 22G33	
8	1	0438307	BEND STEEL 22x2 R V-L	
9	1	1125006	CARRIER DISC 55X8	
10	2	1106829	CILINDERPIN 8X28	

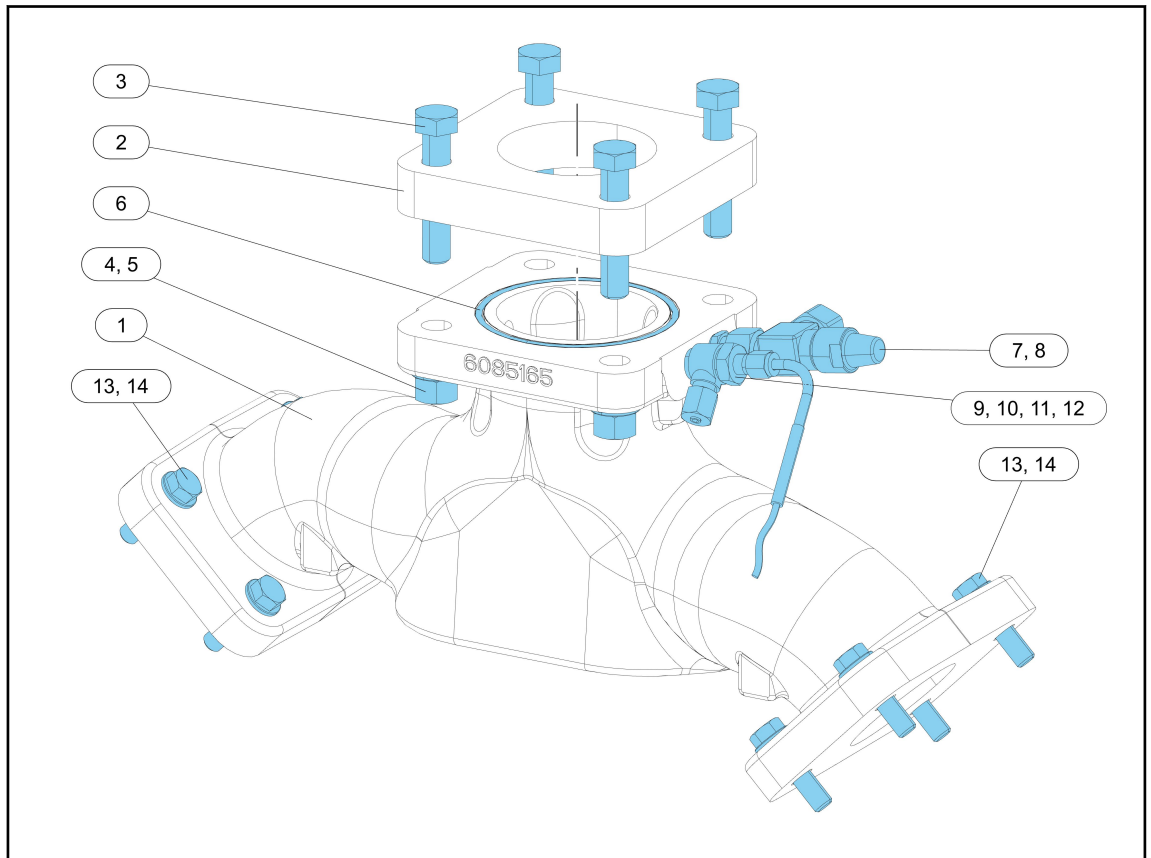
2.2.13 Discharge manifold

2885579 DISCHARGE MANIFOLD GROUP BLIND FLANGE V 750 XHP &V 950 XHP



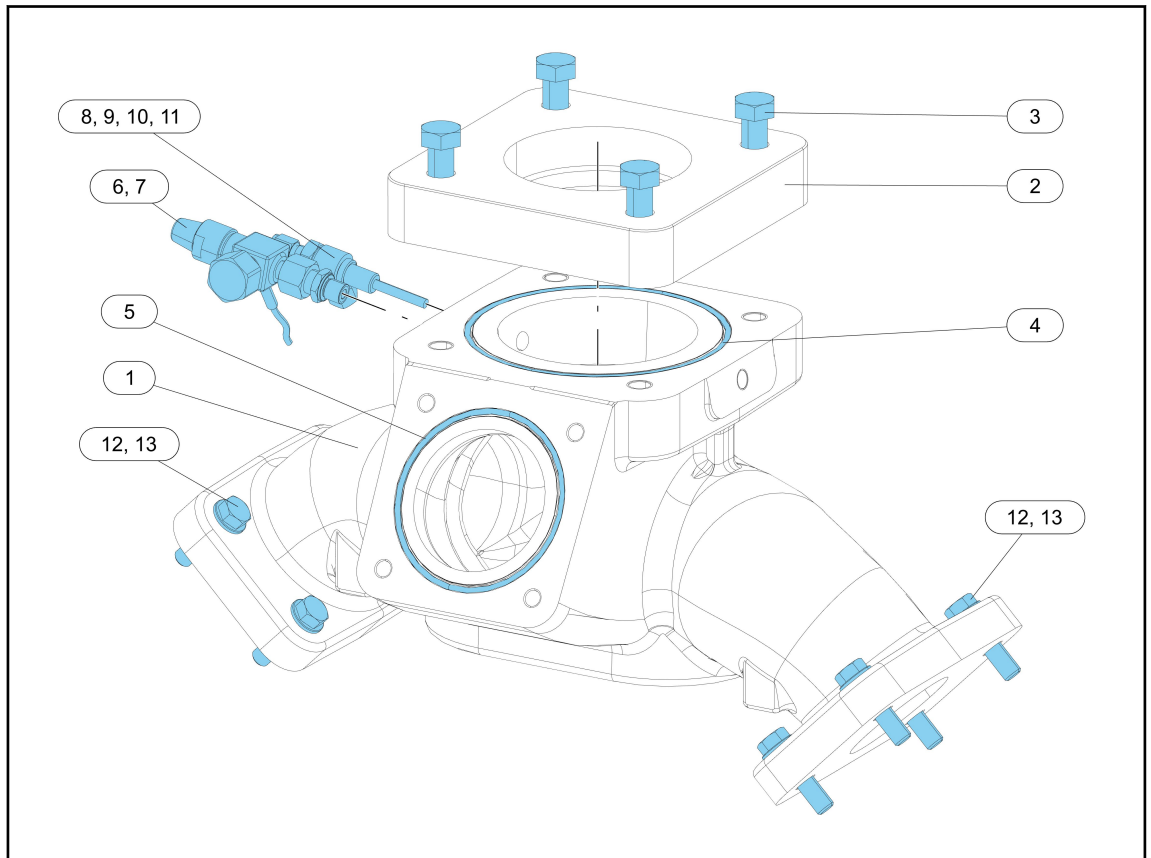
Pos	Qty	Item	Descripton of drawing 2885579	Remark
1	1	2148589	DISCHARGEMANIFOLD V1400/V1800(T) BLIND FLANGE	Not orderable
2	1	0501333	BLIND FLANGE SQR PCD200	
3	4	0110860	HEXAGON HEAD BOLT M16x60 - 8.8 3.2 DIN931 BLACK	
4	1	0952984	O-RING 158.00 C	
5	1	0952972	O-RING 110.00 C	
6	3	0136134	JOINT BOLT G13S	
7	3	0941104	MULTI SEAL RING 1/4"	
8	8	0110650	HEXAGON HEAD BOLT M12x50 - 8.8 DIN931 BLACK	
9	8	1113601	WASHER M12	

288555 DISCHARGE MANIFOLD GROUP V 350 XHP/V 550 XHP DN80



Pos	Qty	Item	Descripton of drawing 2885555	Remark
1	1	2184555	DISCHARGE MANIFOLD V350/V550 XHP	Not orderable
2	1	0501091	WELDING FLANGE DN80 PN25 V STC166	
3	4	0110880	HEXAGON HEAD BOLT M16x80 - 8.8 3.2 DIN931 BLACK	
4	4	0115810	HEXAGON NUT M16 - 8 DIN934 BLACK	
5	4	1113801	WASHER M16	
6	1	0952972	O-RING 110.00 C	
7	1	0607011	VALVE TAH 8-12 Acc. PED 2014/68/EU (Art. 4 § 3)	
8	1	0338131	NIPPLE COUPLING 12G13	
9	1	0385157	THERMOWELL THREADED 6G13x76x16.45x23.8	
10	1	0385633	PLUG-IN COMBINATION G13X30	
11	1	0334596	COUPLING PLUG 6 WITH O-RING	
12	1	1256188	THERMOSENSOR PT1000 4x70x3000	
13	8	0110650	HEXAGON HEAD BOLT M12x50 - 8.8 DIN931 BLACK	
14	8	1113601	WASHER M12	

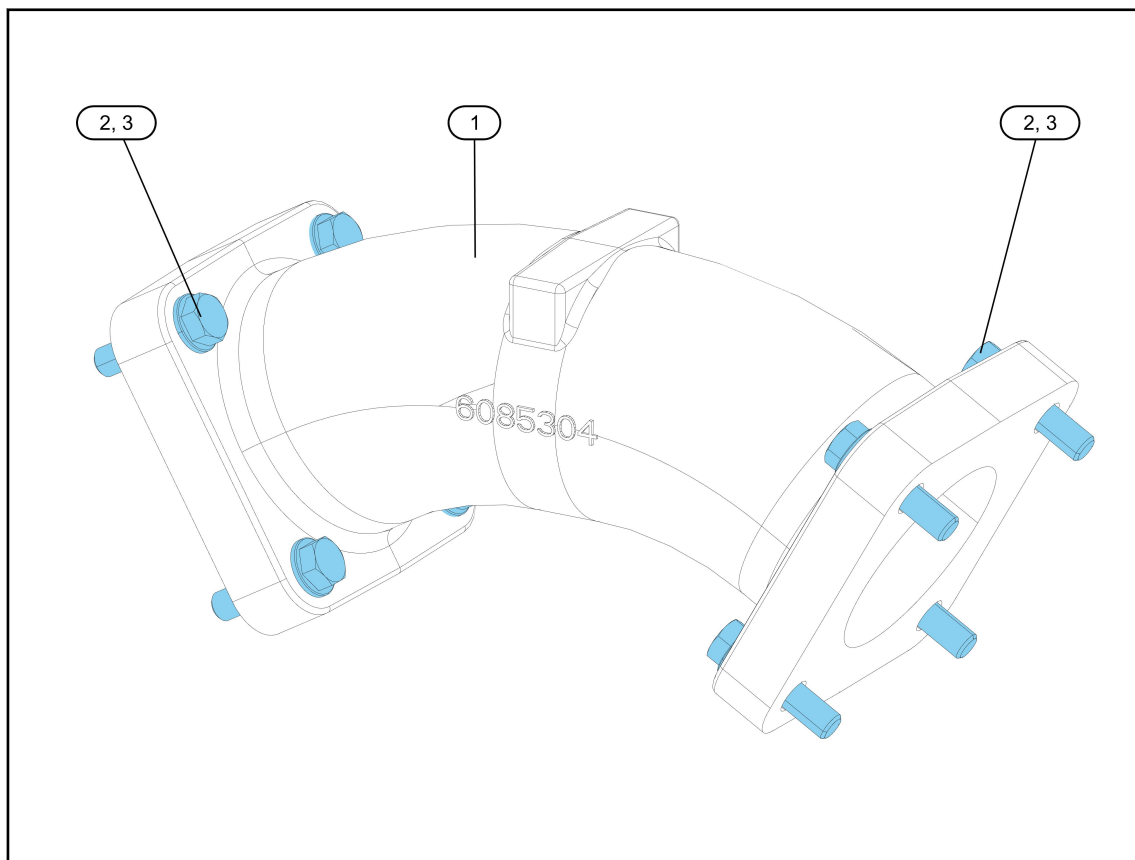
2885585 DISCHARGE MANIFOLD GROUP V 750 XHP/V 950 XHP
DN100



Pos	Qty	Item	Descripton of drawing 2885585	Remark
1	1	2148589	DISCHARGEMANIFOLD V1400/V1800(T)BLIND FLANGE	Not orderable
2	1	0501118	WELDING FLANGE DN100 STC166 H38	
3	4	0110865	HEXAGON HEAD BOLT M16x65 - 8.8 DIN931 BLACK	
4	1	0952984	O-RING 158.00 C	
5	1	0952972	O-RING 110.00 C	
6	1	0607011	VALVE TAH 8-12Acc. PED 2014/68/EU (Art. 4 § 3)	
7	1	0338131	NIPPLE COUPLING 12G13	
8	1	0385633	PLUG-IN COMBINATION G13X30	
9	1	0385157	THERMOWELL THREADED 6G13x76x16.45x23.8	
10	1	1256188	THERMOSENSOR PT1000 4x70x3000	
11	1	0334596	COUPLING PLUG 6 WITH O-RING	
12	8	0110650	HEXAGON HEAD BOLT M12x50 - 8.8 DIN931 BLACK	
13	8	1113601	WASHER M12	

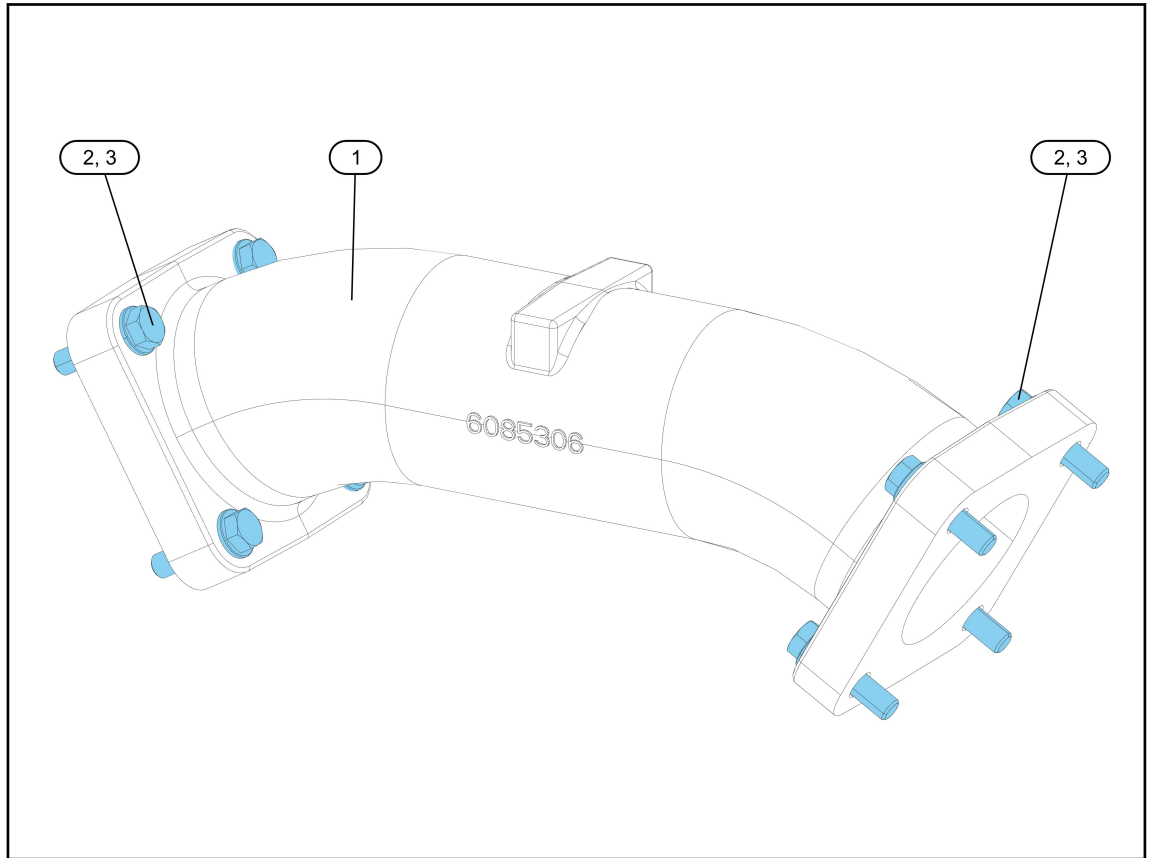
2.2.14 Discharge connection

2849594 DISCHARGE CONNECTION LINE V 1400 & V 1800T & V 750 XHP



Pos	Qty	Item	Descripton of drawing 2849594	Remark
1	1	2148594	DISCHARGE CONNECTION LINE V1400	Not orderable
2	8	0110650	HEXAGON HEAD BOLT M12x50 - 8.8 DIN931 BLACK	
3	8	1113601	WASHER M12	

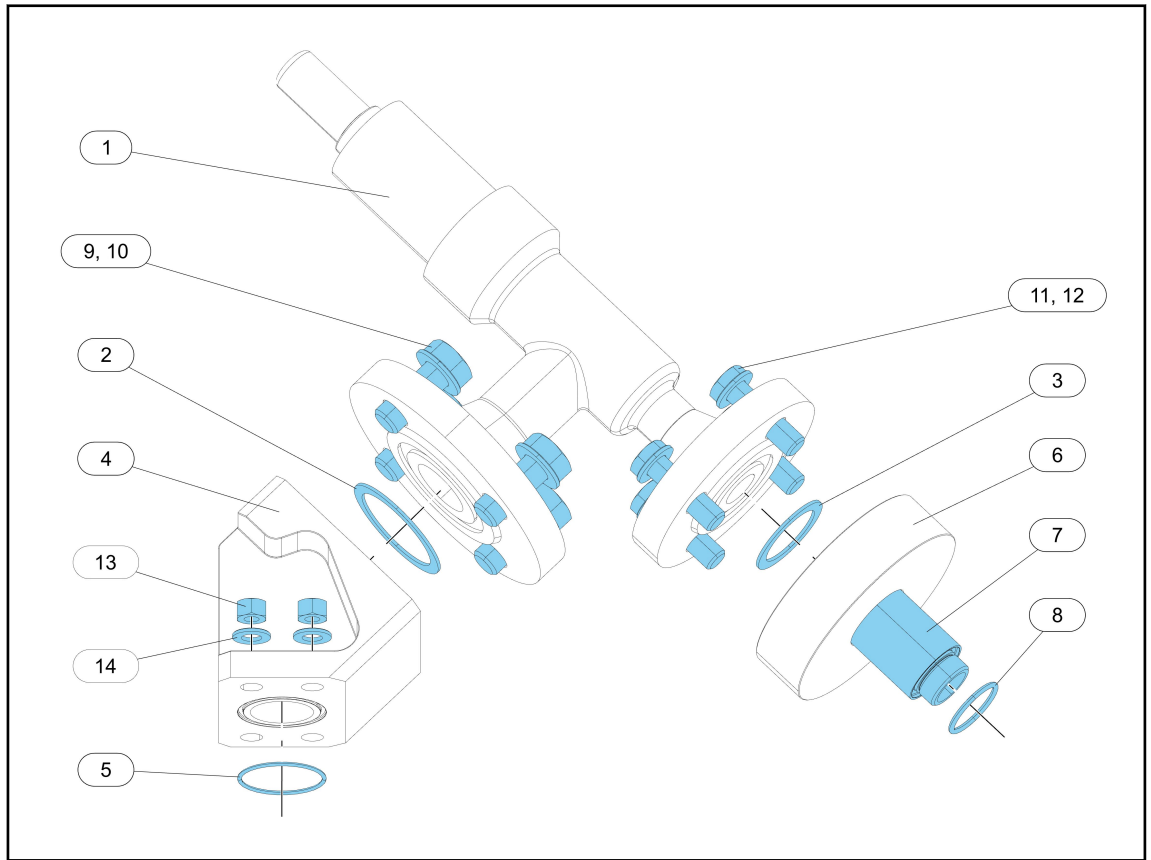
2849596 DISCHARGE CONNECTION LINE V 1800 & V 950 XHP



Pos	Qty	Item	Descripton of drawing 2849596	Remark
1	1	2148596	DISCHARGE CONNECTION LINE V1800	Not orderable
2	8	0110650	HEXAGON HEAD BOLT M12x50 - 8.8 DIN931 BLACK	
3	8	1113601	WASHER M12	

2.2.15 Pressure relief valve

2885484 PRESSURE RELIEF VALVE V XHP

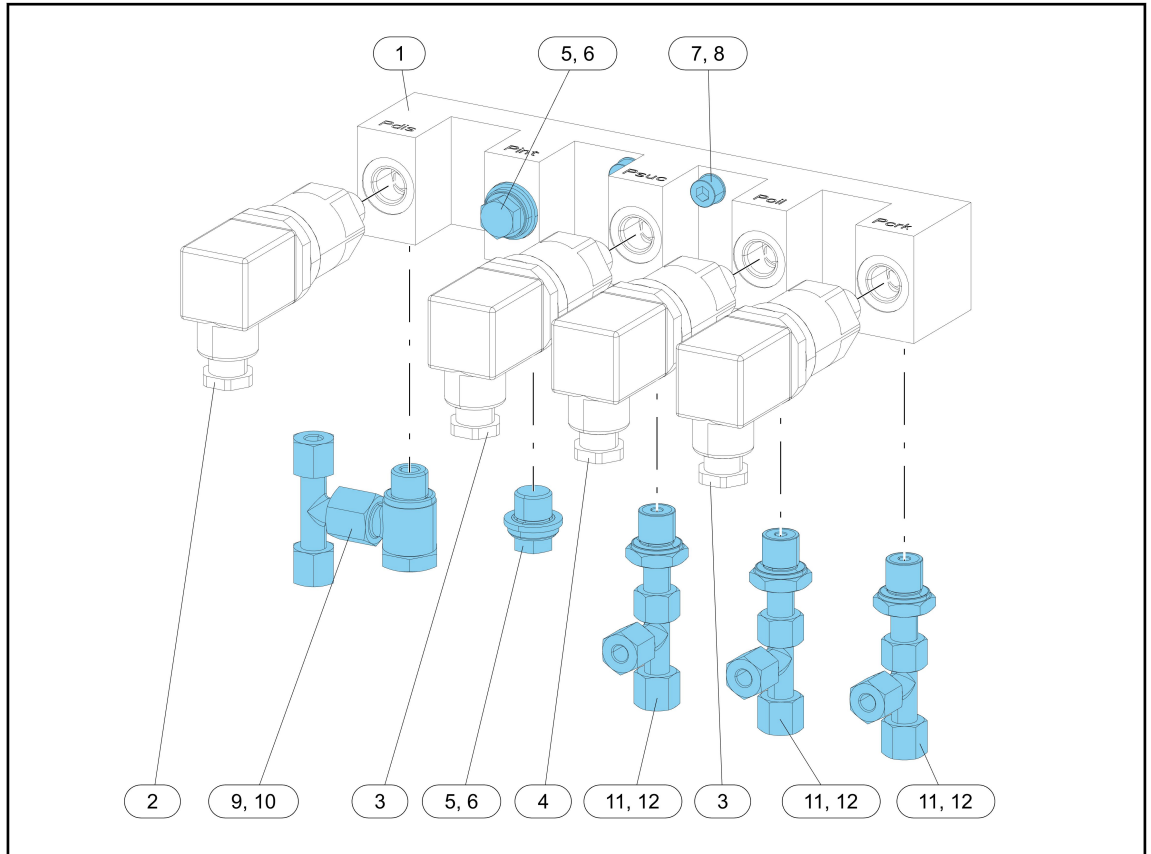


Pos	Qty	Item	Descripton of drawing 2885484	Remark
1	1	4827063	OVERFLOW VALVE V XHP TDO 63 BAR(g) AWP	
2	1	0904061	GASKET 61x75x2 DN40	
3	1	0904043	GASKET 43x57x2	
4	1	0585040	CONN. BLOCK V XHP OVERFLOW VALVE CC DN40	Not orderable
5	1	0952256	O-RING 52.00 A	
6	1	0585025	CONN. BLOCK V XHP OVERFLOW VALVE CH DN25	Not orderable
7	1	0329533	CONNECTION FASTENER G1"	
8	1	0952948	O-RING 36.00 C	
9	4	0110150	HEXAGON HEAD BOLT M20x50 - 8.8 DIN933 BLACK	
10	4	1113101	WASHER M20	
11	4	0110855	HEXAGON HEAD BOLT M16x55 - 8.8 3.2 DIN931 BLACK	
12	4	1113801	WASHER M16	

Pos	Qty	Item	Descripton of drawing 2885484	Remark
13	4	0115610	HEXAGON NUT M12 RC11/12	
14	4	1113601	WASHER M12	

2.2.16 Pressure transmitter group

2885870 PRESSURE TRANSMITTER GROUP V XHP

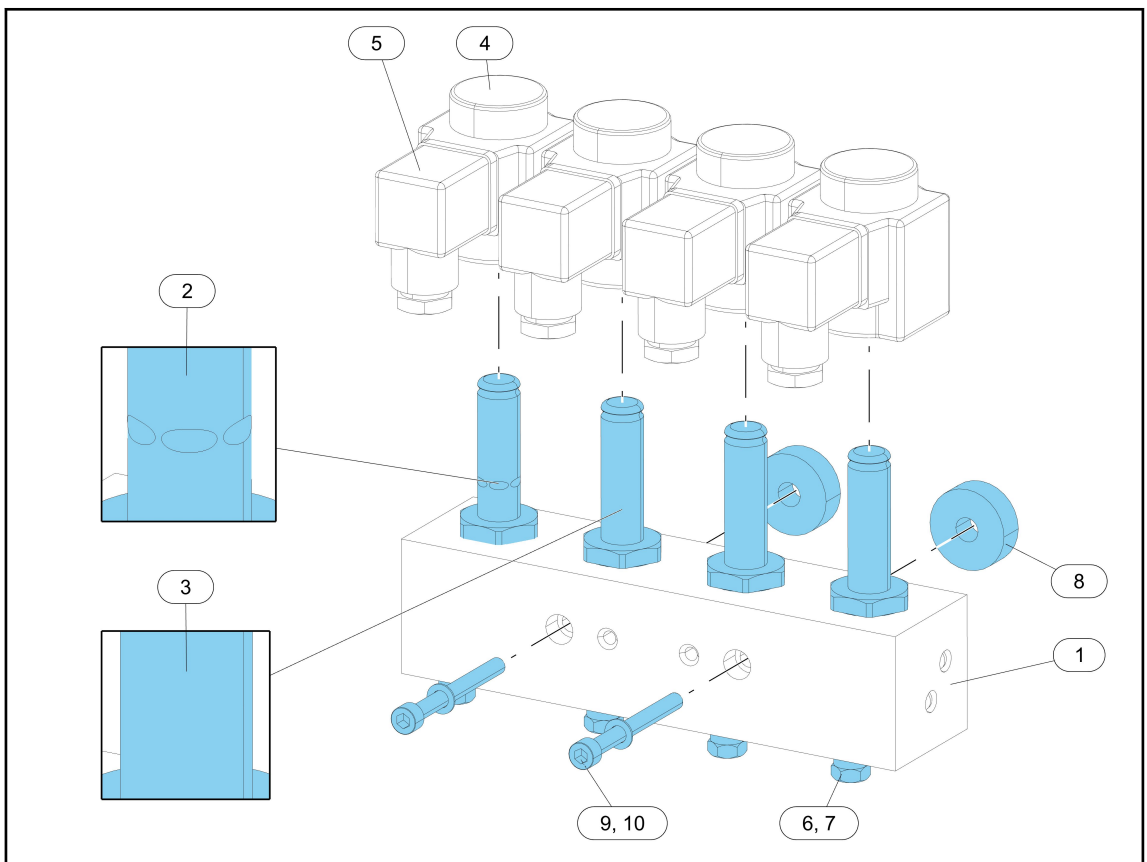


Pos	Qty	Item	Descripton of drawing 2885870	Remark
1	1	0233317	PIPE SUPPORT G1/4xG1/4 GR10	Not orderable
2	1	1263700	PRESSURE TRANSMITTER G1/4" 1-101 BAR A WITH CONNECTOR	Discharge
3	2	1263732	PRESSURE SENSOR z.st. G1/4-30 BAR - D	Suction and crank-case
4	1	1263766	PRESSURE TRANSMITTER G1/4 0-60 BAR D WITH CONNECTOR	Oil. Additional item 0336040 PULSE REDUCING ORI- FICE
5	2	0136134	JOINT BOLT G13S	
6	2	0941104	MULTI SEAL RING 1/4"	

Pos	Qty	Item	Descripton of drawing 2885870	Remark
7	2	0104325	SOCKET HEAD SCREW M6x25	
8	2	1113303	SPRING WASHER M6	
9	1	0339136	SWIVEL COUPLING 6G13	
10	1	0340306	T-COUPLING E6x6x6	
11	3	0338136	NIPPLE COUPLING 6G13	
12	3	0340406	T-COUPLING ANGLED 6x6x6	

2.2.17 Valve lifting connections

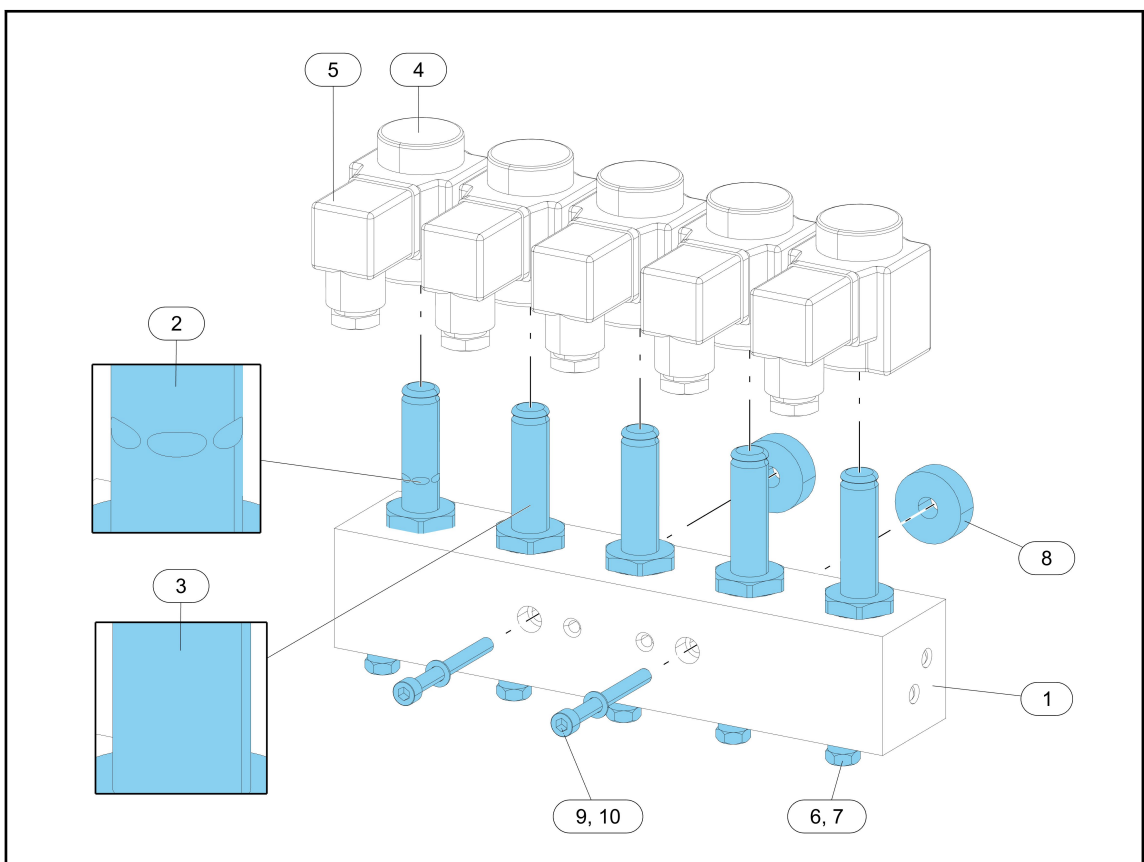
2849845 VALVE LIFTING PIPING GROUP 4 DC



Pos	Qty	Item	Descripton of drawing 2849845	Remark
1	1	0682745	VALVE BLOCK EVRB40 24DC	
2	1	0680343	REPAIR KIT NORMALLY OPEN	
3	3	0680341	REPAIR KIT NORMALLY CLOSED -DC WITH SEAL	
4	4	1316127	SOLENOID VALVE COIL 24V DC	Check your electrical diagram

Pos	Qty	Item	Descripton of drawing 2849845	Remark
5	4	1316605	RC24V CONNECTOR LED + AMPLIFIER	Check your electrical diagram
6	6	0304512	NIPPLE M12x1 - 8mm	
7	6	0334508	CUTTING RING P8L	
8	2	1116732	SPACER TEFLON 9x30x10	
9	2	0104360	SOCKET HEAD SCREW M6x60	
10	2	1113303	SPRING WASHER M6	

2849865 VALVE LIFTING PIPING GROUP 5 DC

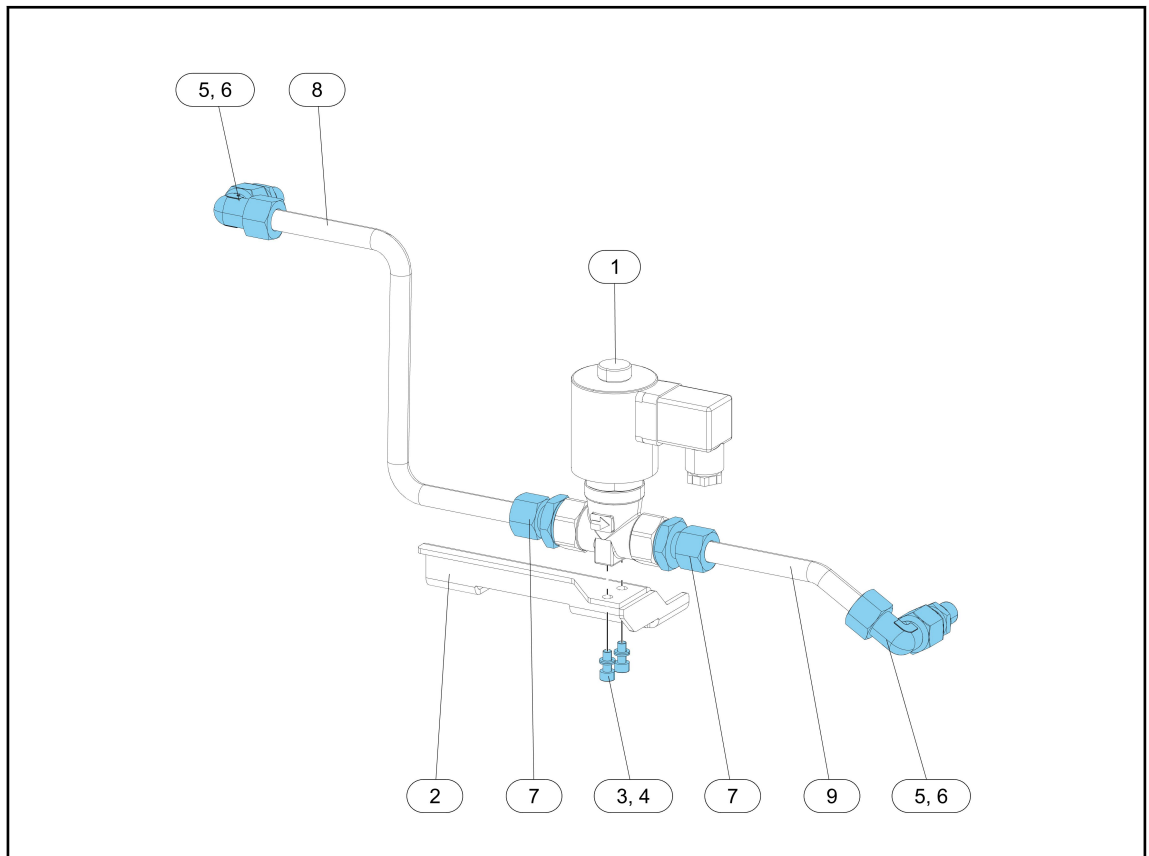


Pos	Qty	Item	Descripton of drawing 2849865	Remark
1	1	0682755	VALVE BLOCK EVRB50 24DC	
2	1	0680343	REPAIR KIT NORMALLY OPEN	
3	4	0680341	REPAIR KIT NORMALLY CLOSED -DC WITH SEAL	
4	5	1316127	SOLENOID VALVE COIL 24V DC	Check your electrical diagram
5	5	1316605	RC24V CONNECTOR LED + AMPLIFIER	Check your electrical diagram
6	7	0304512	NIPPLE M12x1 - 8mm	

Pos	Qty	Item	Descripton of drawing 2849865	Remark
7	7	0334508	CUTTING RING P8L	
8	2	1116732	SPACER TEFLON 9x30x10	
9	2	0104360	SOCKET HEAD SCREW M6x60	
10	2	1113303	SPRING WASHER M6	

2.2.18 Equalizing line

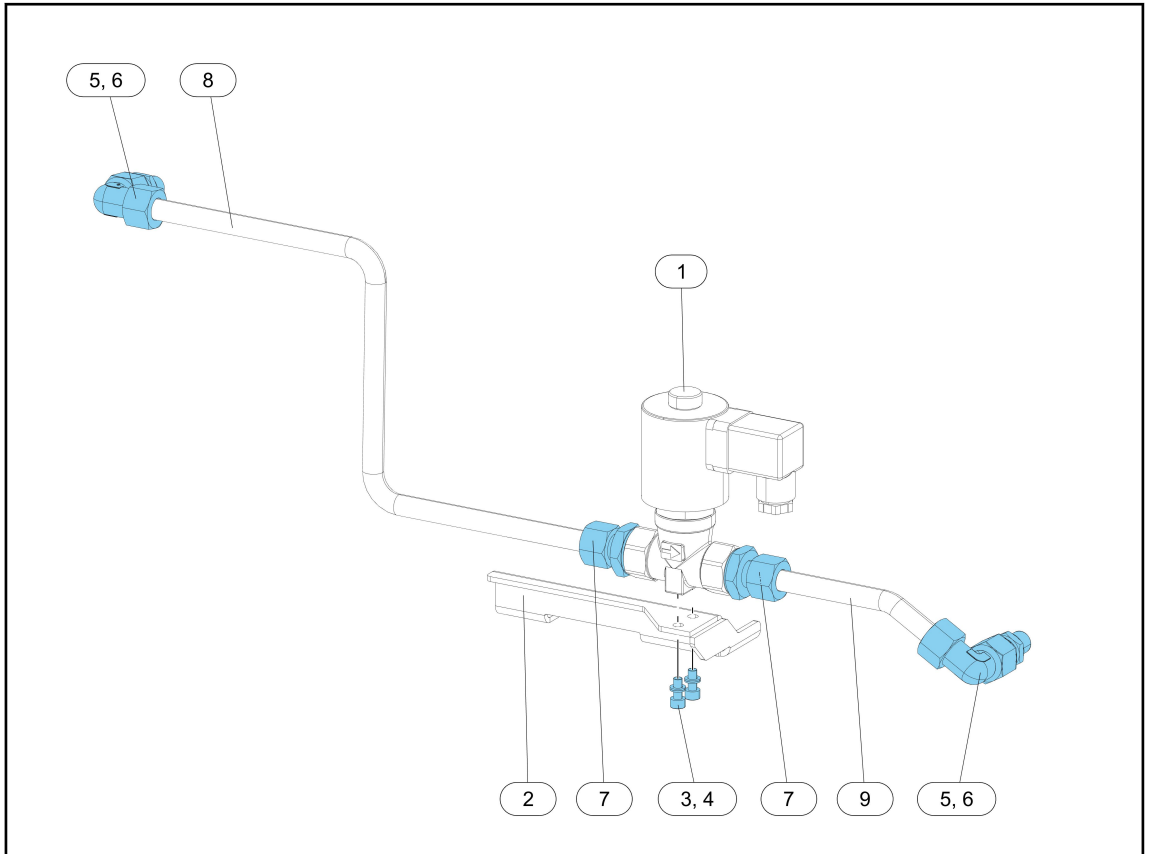
2885821 EQUALIZATION LINE GROUP V 350 XHP



Pos	Qty	Item	Descripton of drawing 2885821	Remark
1	1	0684870	SOLENOID VALVE 8MM 70BAR	
2	1	0284822	EQ VALVE BRACKET V XHP	Not orderable
3	2	0104212	SOCKET HEAD SCREW M5x12	
4	2	1139250	NORD-LOCK RING M5	
5	2	0341313	ANGLED COUPLING ADJUSTABLE 12x12	
6	2	0338131	NIPPLE COUPLING 12G13	

Pos	Qty	Item	Descripton of drawing 2885821	Remark
7	2	0338211	NIPPLE COUPLING 12G21	
8	1	0385122	EQUALIZATION TUBE DISCHARGE TO VALVE V350 XHP	
9	1	0382121	EQUAL PIPE SOLENOID BLOCK-SUCTION V300/450/600 HP 39BAR	

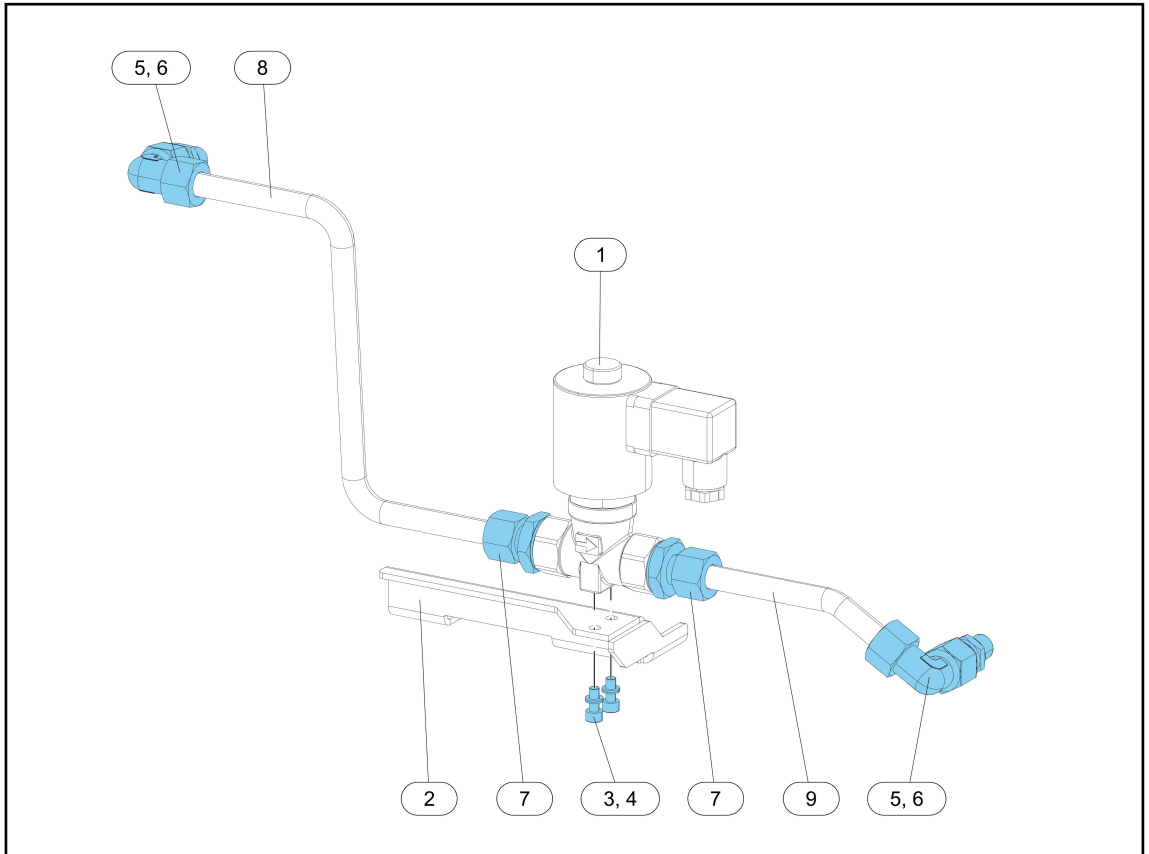
2885822 EQUALIZATION LINE GROUP V 550 XHP



Pos	Qty	Item	Descripton of drawing 2885822	Remark
1	1	0684870	SOLENOID VALVE 8MM 70BAR	
2	1	0284822	EQ VALVE BRACKET V XHP	Not orderable
3	2	0104212	SOCKET HEAD SCREW M5x12	
4	2	1139250	NORD-LOCK RING M5	
5	2	0341313	ANGLED COUPLING ADJUSTABLE 12x12	
6	2	0338131	NIPPLE COUPLING 12G13	

Pos	Qty	Item	Descripton of drawing 2885822	Remark
7	2	0338211	NIPPLE COUPLING 12G21	
8	1	0385123	EQUALIZATION TUBE DISCHARGE TO VALVE V550 XHP	
9	1	0382121	EQUAL PIPE SOLENOID BLOCK-SUCTION V300/450/600 HP 39BAR	

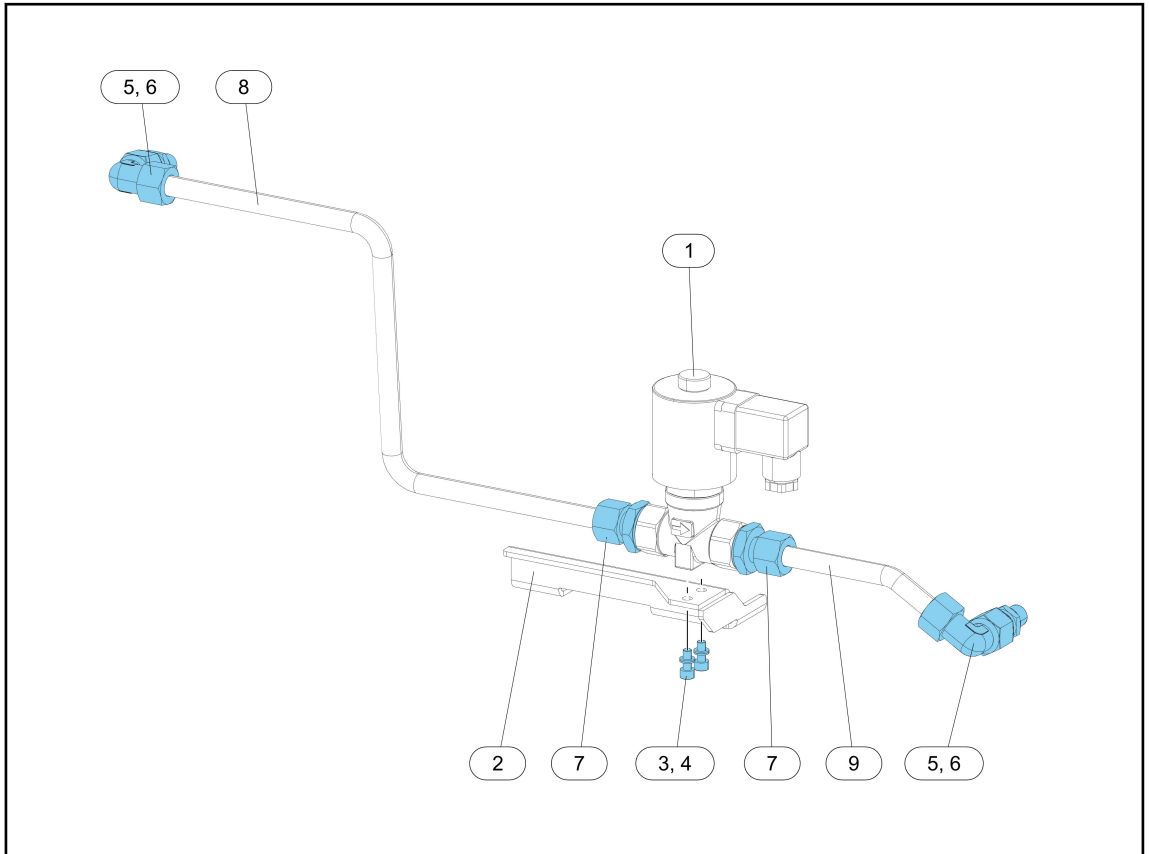
2885823 EQUALIZATION LINE GROUP V 750 XHP



Pos	Qty	Item	Descripton of drawing 2885823	Remark
1	1	0684870	SOLENOID VALVE 8MM 70BAR	
2	1	0284822	EQ VALVE BRACKET V XHP	Not orderable
3	2	0104212	SOCKET HEAD SCREW M5x12	
4	2	1139250	NORD-LOCK RING M5	
5	2	0341313	ANGLED COUPLING ADJUSTABLE 12x12	
6	2	0338131	NIPPLE COUPLING 12G13	

Pos	Qty	Item	Descripton of drawing 2885823	Remark
7	2	0338211	NIPPLE COUPLING 12G21	
8	1	0385124	EQUALIZATION TUBE DISCHARGE TO VALVE V750 XHP	
9	1	0382121	EQUAL PIPE SOLENOID BLOCK-SUCTION V300/450/600 HP 39BAR	

2885824 EQUALIZATION LINE GROUP V 950 XHP



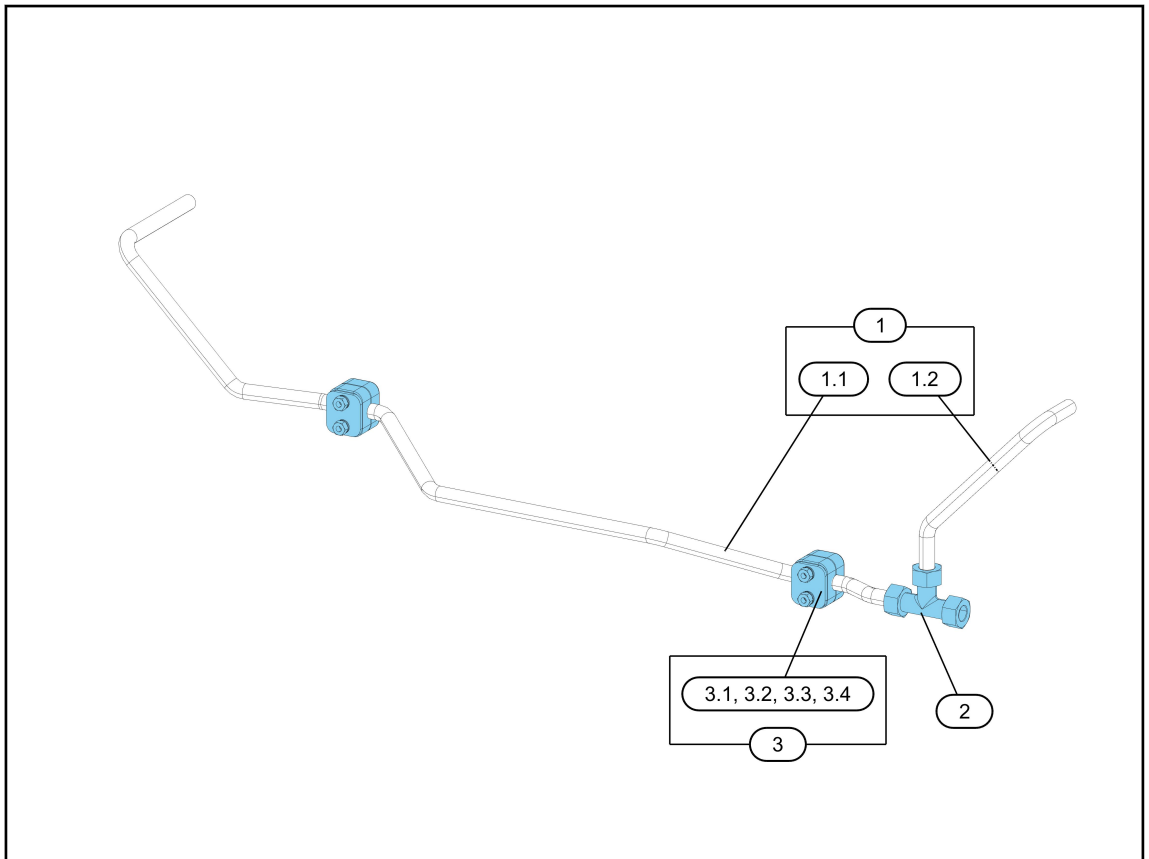
Pos	Qty	Item	Descripton of drawing 2885824	Remark
1	1	0684870	SOLENOID VALVE 8MM 70BAR	
2	1	0284822	EQ VALVE BRACKET V XHP	Not orderable
3	2	0104212	SOCKET HEAD SCREW M5x12	
4	2	1139250	NORD-LOCK RING M5	
5	2	0341313	ANGLED COUPLING ADJUSTABLE 12x12	
6	2	0338131	NIPPLE COUPLING 12G13	

Pos	Qty	Item	Descripton of drawing 2885824	Remark
7	2	0338211	NIPPLE COUPLING 12G21	
8	1	0385125	EQUALIZATION TUBE DISCHARGE TO VALVE V950 XHP	
9	1	0382121	EQUAL PIPE SOLENOID BLOCK-SUCTION V300/450/600 HP 39BAR	

2.2.19 Condensation drain

2885856 CONDENSATION DRAIN GRP V 350 XHP/V 550 XHP

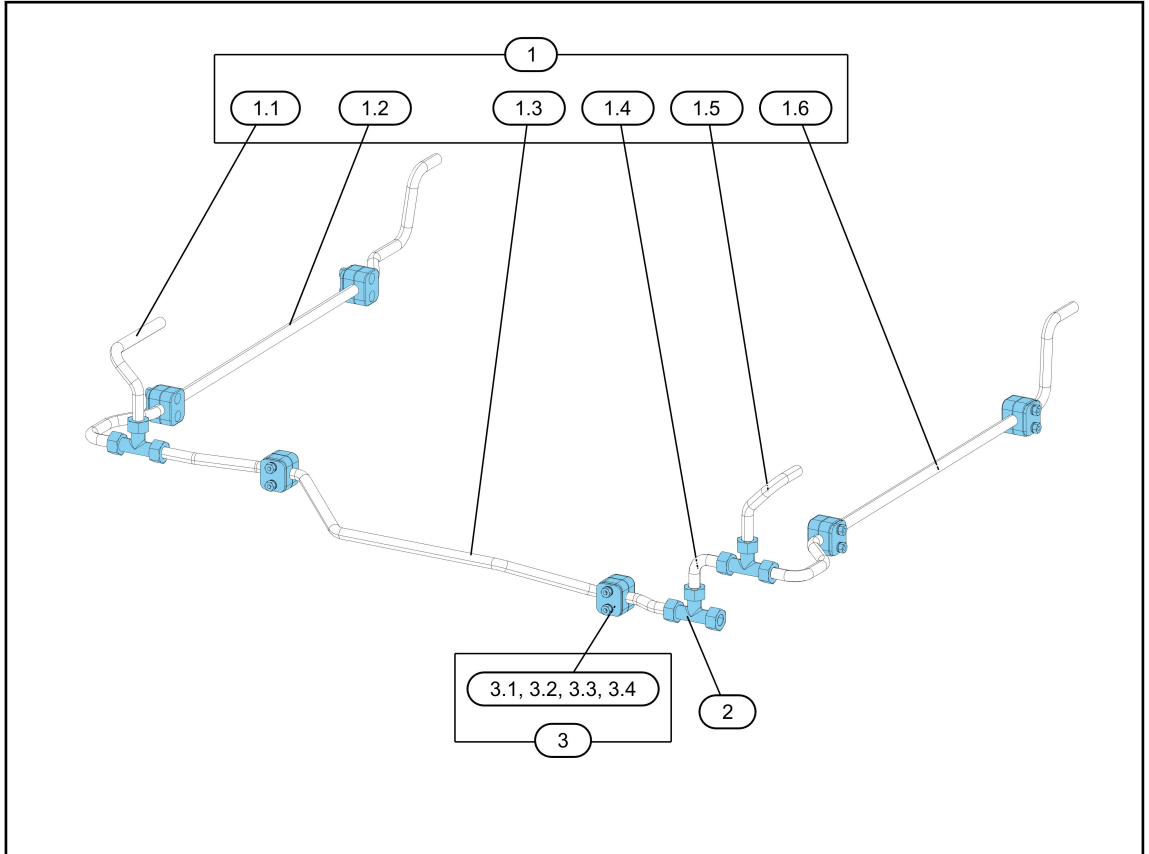
2885856 CONDENSATION DRAIN GRP V 350XHP/V 550XHP



Pos	Qty	Item	Descripton of drawing 2885856	Remark
1	1	4405705	CONDENSATE DRAIN V350/V550 XHP SET	
1.1	1	4405118	CONDENSATE CYL 2 - V350/V550 XHP	Not orderable
1.2	1	4405117	CONDENSATE CYL 1 - V350/V550 XHP	Not orderable
2	1	0340012	T-COUPLING 12x12x12	
3	2	0285120	DIN 3015 PIPE CLAMP SET D12 AL	Not orderable
3.1	2	0284121	DIN 3015 CLAMP HALVE 1A D12 AL	

Pos	Qty	Item	Descripton of drawing 2885856	Remark
3.2	1	0284122	DIN 3015 COVER PLATE 1A	
3.3	2	0115310	HEXAGON NUT M6 - 8 DIN934 BLACK	
3.4	2	1139300	NL LOCK WASHER SET 6	

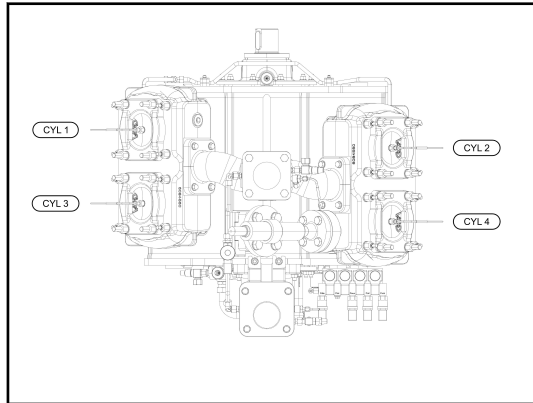
2885896 CONDENSATION DRAIN V 750 XHP/V 950 XHP



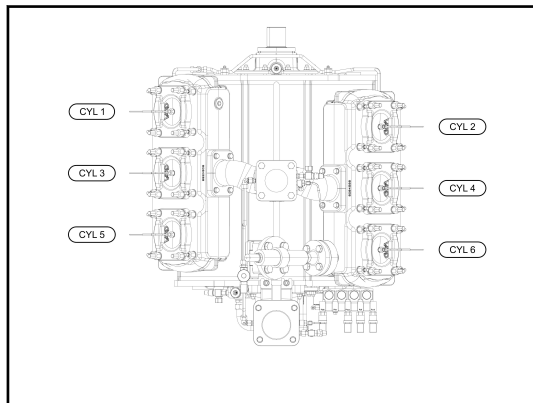
Pos	Qty	Item	Descripton of drawing 2885896	Remark
1	1	4405715	CONDENSATE DRAIN V750/V950 XHP SET	
1.1	1	4405114	CONDENSATE CYL 2 - V750/V950 XHP	Not orderable
1.2	1	4405112	CONDENSATE CYL 6 - V750/V950 XHP	Not orderable
1.3	1	4405116	CONDENSATE D.S. LONG - V750/V950 XHP	Not orderable
1.4	1	4405115	CONDENSATE D.S. SHORT - V750/V950 XHP	Not orderable
1.5	1	4405113	CONDENSATE CYL 1 - V750/V950 XHP	Not orderable
1.6	1	4405111	CONDENSATE CYL 5 - V750/V950 XHP	Not orderable
2	1	0340012	T-COUPLING 12x12x12	
3	6	0285120	DIN 3015 PIPE CLAMP SET D12 AL	Not orderable
3.1	2	0284121	DIN 3015 CLAMP HALVE 1A D12 AL	

Pos	Qty	Item	Descripton of drawing 2885896	Remark
3.2	1	0284122	DIN 3015 COVER PLATE 1A	
3.3	2	0115310	HEXAGON NUT M6 - 8 DIN934 BLACK	
3.4	2	1139300	NL LOCK WASHER SET 6	

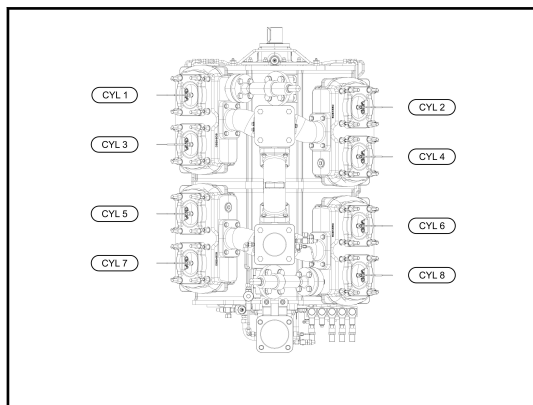
2.3 Cylinder numbering



V 350 XHP

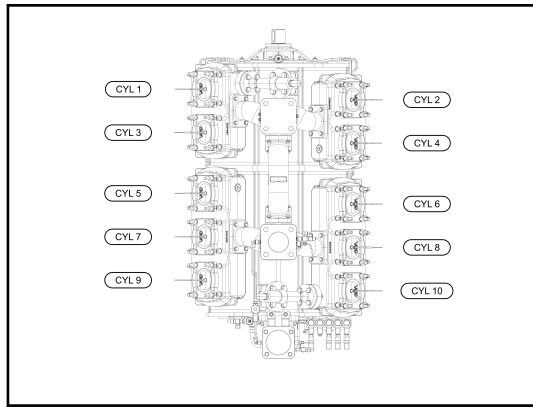


V 550 XHP



V 750 XHP

V 950 XHP



GEA Netherlands N.V.
Parallelweg 25
5223 AL 's-Hertogenbosch , Netherlands

Phone +31 73 6 203 911

SPC-V XHP Copyright © GEA Netherlands - All rights reserved - Subject to modifications.